

AQUARIUS

DISTRIBUTION

Product Catalogue 2022





Aquarius Rubber T/as **Aquarius Distribution**
EST. 1973

We stand for **Excellence**,
Reliability and **Quality**

The best products, fastest delivery and
extraordinary customer service.

Australian Owned

Contents



Lead Alternative

Leadax Original 5

Leadax Easy FA 6

Aquaseal

Drainage Vent & Flashing Kit 7

Aquadapt 8

FlashRite 9

Round 10

Original 11

Special 12

Square Flasher 13

MultiSeal 14

Drainer 15

Wall Flasher 16

Aquaseal Versatile

LDX 17

Enviro-Lead 18

Natural Lead 19

Enviro-Lead Square Flasher 20

Aluminium Square Flasher 20

Aluminium - Standard 21

Aluminium - A° Series 22

Flexatile 23

Pipe Flashing Accessories

Retrofit Clips 24

Expansion Joint

Expansion Strip Joint 25

Washers & Grommets

Moulded Washers 26

Bonded Washers 27

Embossed Washers 28

Grommets 28

Pipe Couplings

Octopus Pipe Couplings 29

AquaTools

Multi-purpose Rubber Ties 30

Anti-vibration Waffle Pads 31

Styrowedge 32

Styroscrew 33

Grab Stick 34



Leadax[®]

The new lead

With our circular and sustainable waterproofing building materials we are on a mission to change the world for the better. Here you can find our products, which are our global award-winning lead replacement Leadax Flashings.

Leadax PVB Flashing is the world's most sustainable and circular lead replacement, with the look-and-feel of traditional lead.

For more information visit www.leadax.com.au



**LEAD
ALTERNATIVE**

Leadax Original

Benefits

- **Non-toxic** – Unlike traditional water-resistant materials, Leadax does not contain any heavy metals.
- **Recycled materials** – The basic raw material is recycled PVB. PVB is the foil that is used in laminated glass (e.g. car windows or safety glass).
- **Light weight** – Leadax is much lighter than lead and therefore easier to use.
- **Cheaper** – Leadax is faster to install, resulting in lower installation costs.



Code	Size	Weight	Colour
LDX300B - 25206300	300mm x 6m	7.40kg	Black
LDX400B - 25206400	400mm x 6m	9.50kg	Black
LDX600B - 25206600	600mm x 6m	14.70kg	Black
LDX300G - 25106300	300mm x 6m	7.40kg	Grey
LDX400G - 25106400	400mm x 6m	9.50kg	Grey
LDX600G - 25106600	600mm x 6m	14.70kg	Grey
LDX300T - 25306300	300mm x 6m	7.40kg	Terracotta
LDX400T - 25306400	400mm x 6m	9.50kg	Terracotta
LDX600T - 25306600	600mm x 6m	14.70kg	Terracotta



Available Accessories

Leadax Scissors



Code:
LDXSCISSORS - 29000210

Cut Leadax to size quickly and easily.

Leadax Roller



Code:
LDXROLLER - 29000220

Mould Leadax around roof tiles. Easy to use for professional results.

Leadax Fixing Clip



Code:
LDXCLIPS - 29000120

Leadax Fixing Clips allow you to attach Leadax into above ground masonry joints quickly and easily.



Leadax Easy FA

Leadax Easy FA is the fully self-adhesive lead replacement in the Leadax product family. Leadax Easy FA has no harmful effects on people’s health and the environment. Leadax Easy FA can easily be applied by hand and with the optional Leadax Roller you will have a professional finish every time. Leadax Easy FA is extremely thin, yet extremely strong.

Superior adhesive strength.

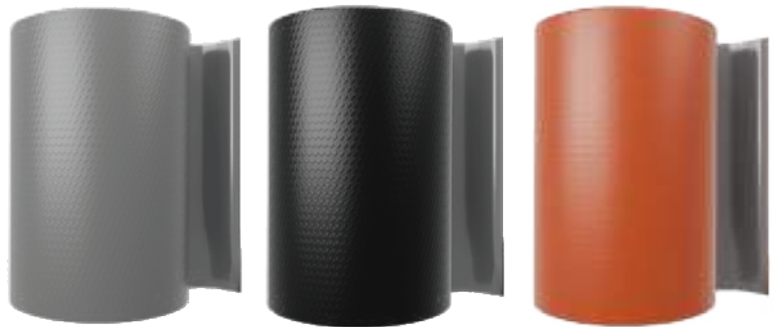
The butyl is adhered on the PVB in such a way that it can easily be removed at the end of Leadax Easy’s life cycle, without making any concessions to the adhesive strength during and after application. This means that Leadax Easy is completely removable, recyclable and therefore circular!



Various aging tests have shown that the butyl adheres well to the PVB to remain wind and water resistant under various weather conditions for at least 30 years. Optimal adhesive strength is guaranteed on all dust-free surfaces, so it can be applied with confidence.

Benefits

- Made from r-PVB waste
- Sustainable
- High-quality
- Global Award-winning
- Applicable by hand
- Full-Adhesive



Code	Size	Colour	Box Qty
EASYFA280B - 35205280	280mm x 5m	Black	1
EASYFA370B - 35205370	370mm x 5m	Black	1
EASYFA600B - 35205600	600mm x 5m	Black	1
EASYFA280G - 35105280	280mm x 5m	Grey	1
EASYFA370G - 35105370	370mm x 5m	Grey	1
EASYFA600G - 35105600	600mm x 5m	Grey	1
EASYFA280T - 35305280	280mm x 5m	Terracotta	1
EASYFA370T - 35305370	370mm x 5m	Terracotta	1
EASYFA600T - 35305600	600mm x 5m	Terracotta	1



! Extremely strong - 20 year warranty



! Available in three sizes



! Roller tool available for that professional finish



Drainage Vent & Flashing Kit

In Bush Fire Attack Level (BAL) areas, the Australian Standard limits the use of PVC exposed above the roofline. The minimal test to BAL12.5 has shown that temperatures can reach 160°C, this far exceeds the melting point of PVC of 85°C. With the risk of PVC melting, it has the potential of exposing a gap greater than 3mm making it non-compliant to the Australian Standard AS 3959:2018.

Our BAL rated 'Drainage Vent & Flashing Kit' comes with a '50mm Steel Corrosion Resistant Pipe' with an integrated 'Steel Mesh Cowl' that complies to the requirements of the Australian Standard AS 3959:2018.

Under the roofline, the 'Insulated PVC Adaptor' has been created to withstand any heat transfer when adapted to the 50mm PVC pipe below.

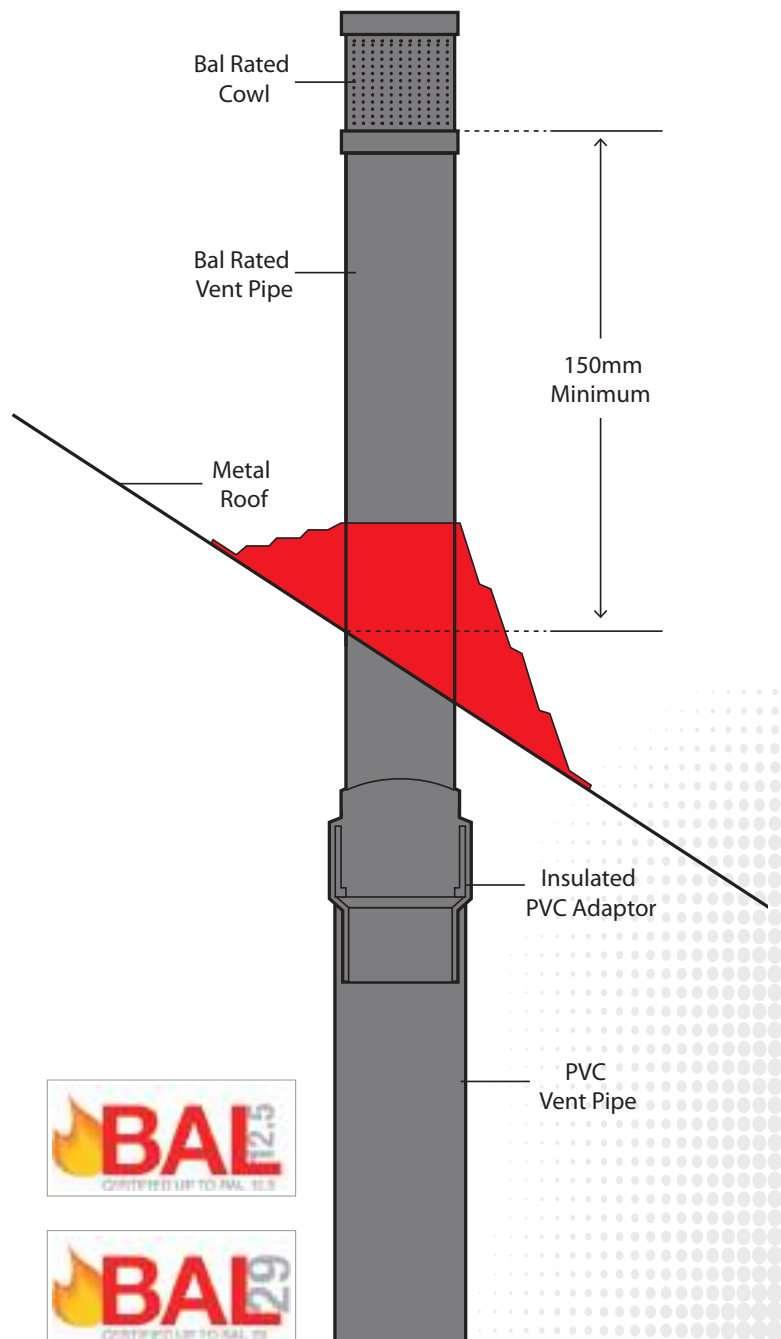
Benefits

- Solution to PVC vent pipes above the roof line for BAL areas across Australia
- Metal pipe has a strong resistance to heat which makes it perfect for BAL areas
- The metal pipe has an integrated mesh steel cowl that prevents embers entering
- BAL rated Pipe Flashing

Code	Description
VK50BAL12	BAL12.5 Vent kit with EPDM Flashings
VK50BAL29	BAL29 Vent kit with Silicone Flashings

Installation

1. Cut a hole in the roof large enough to allow the PVC adaptor to pass through.
2. Cut the PVC Vent pipe so that when assembled, the PVC to Steel Connector will be below the roof line. (Note: there needs to be a minimum of 150mm of solid vent pipe above the roof.)
3. Glue the PVC connector into the PVC vent pipe.
4. Pull the Aquaseal over the vent and seal it to the roof, using Roof and Gutter silicone.





AQUASEAL



Aquadapt

Benefits

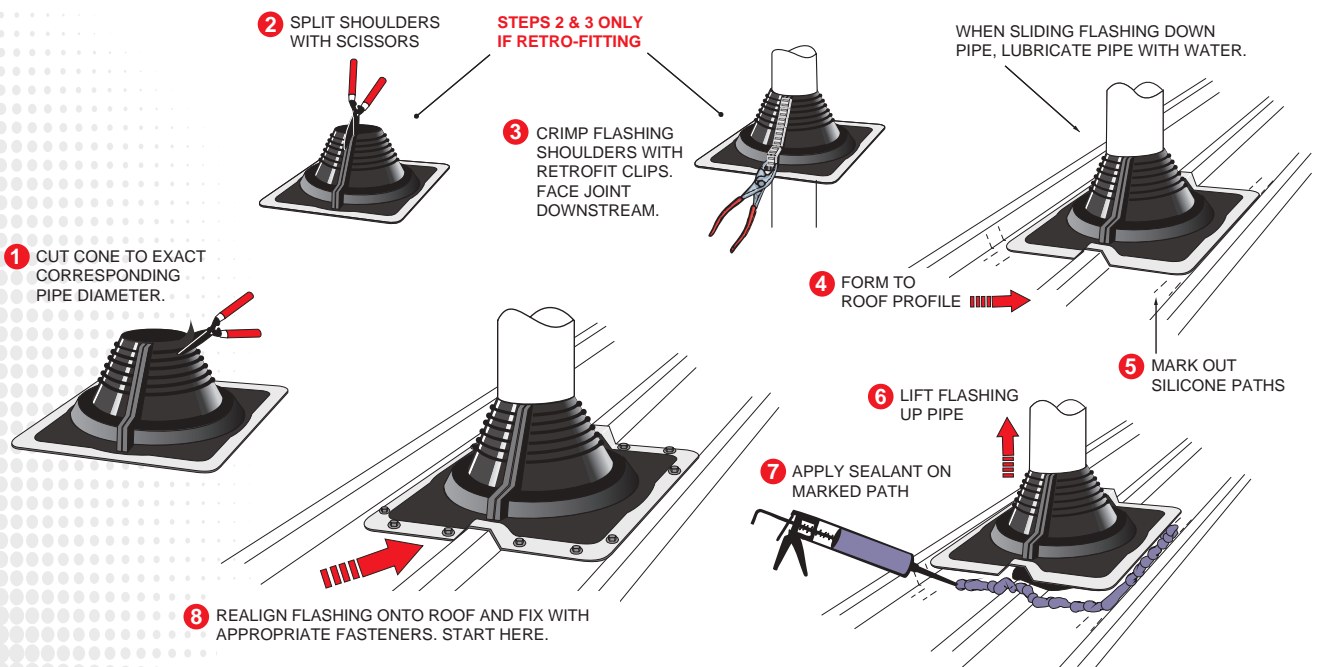
- Suitable for both standard and retrofit application
- Wraps around existing pipes
- Suitable for repairs
- Full range of sizes
- Polymer is Ozone and UV resistant
- 20 Year warranty
- EPDM Black BAL Rating 12.5 & Silicone Red BAL Rating 29



Aquaseal Aquadapt	Black EPDM Code	Red Silicone Code	Metric: Pipe Size (25° roof pitch)	Metric: Pipe Size (45° roof pitch)	Imperial: Pipe Size (25° roof pitch)	Imperial: Pipe Size (45° roof pitch)	Base size	Max retrofit clips required	Box Qty
No.1	AAE1B8-40	AAS1R8-40	8-50mm	8-40mm	1/8" - 2"	1/8" - 1 1/2"	115x115mm	4	20
No.2	AAE2B10-70	AAS2R10-70	10-90mm	10-70mm	3/8" - 3 3/8"	3/8" - 2 3/4"	155x155mm	5	20
No.3	AAE3B40-90	AAS3R40-90	40-100mm	40-90mm	1 1/2" - 4"	1 1/2" - 3 1/2"	203x203mm	5	10
No.4	AAE4B75-135	AAS4R75-135	75-150mm	75-135mm	3" - 6"	3" - 5 1/8"	255x255mm	6	10
No.5	AAE5B125-180	AAS5R125-180	125-200mm	125-180mm	5" - 8"	5" - 7"	305x305mm	6	10
No.6	AAE6B145-230	AAS6R145-230	145-250mm	145-230mm	6" - 10"	6" - 9"	355x355mm	7	10
No.7	AAE7B195-250	AAS7R195-250	195-300mm	195-250mm	8" - 11 5/8"	8" - 10"	432x432mm	7	5
No.8	AAE8B230-380	AAS8R230-380	230-380mm	230-355mm	9" - 15"	9" - 14"	540x600mm	9	5
No.9	AAE9B315-450	AAS9R315-450	315-500mm	315-450mm	12 1/2" - 19 3/8"	12 1/2" - 17 3/4"	650x720mm	11	1
No.10	AAE10B400-730	AAS10R400-730	400-750mm	400-630mm	15 3/4" - 29 1/2"	15 3/4" - 24 3/8"	965x995mm	15	1

EPDM will withstand constant temperatures of -40°C (-40°F) to 115°C (239°F) Silicone will withstand constant temperatures of -50°C (-58°F) to 200°C (392°F)
 *BAL rated for EPDM Black & Silicone Red

Installation Overview

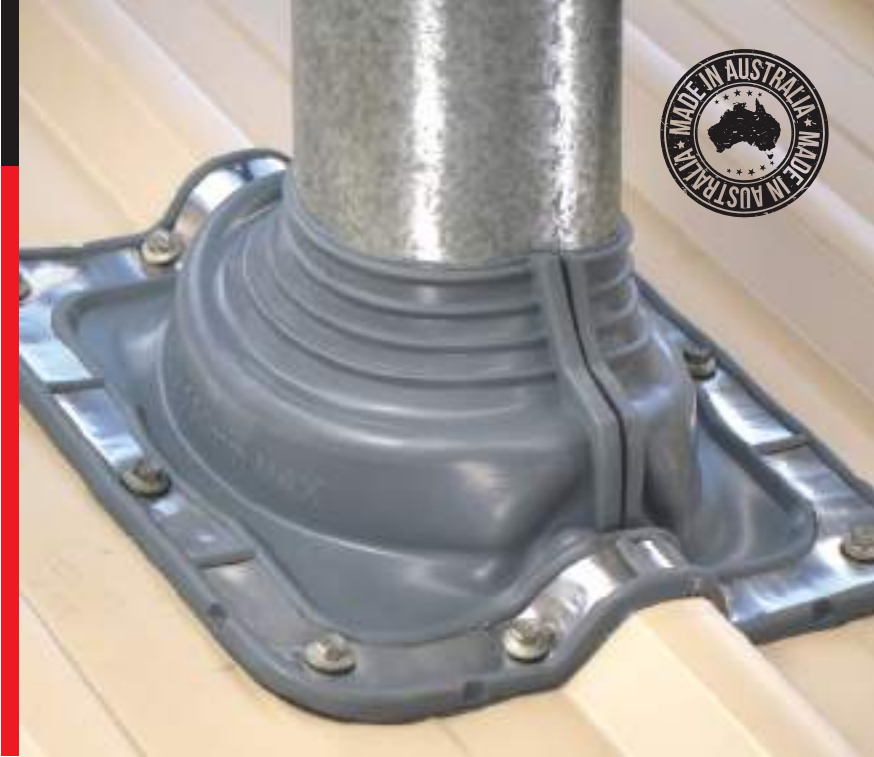




FlashRite

Benefits

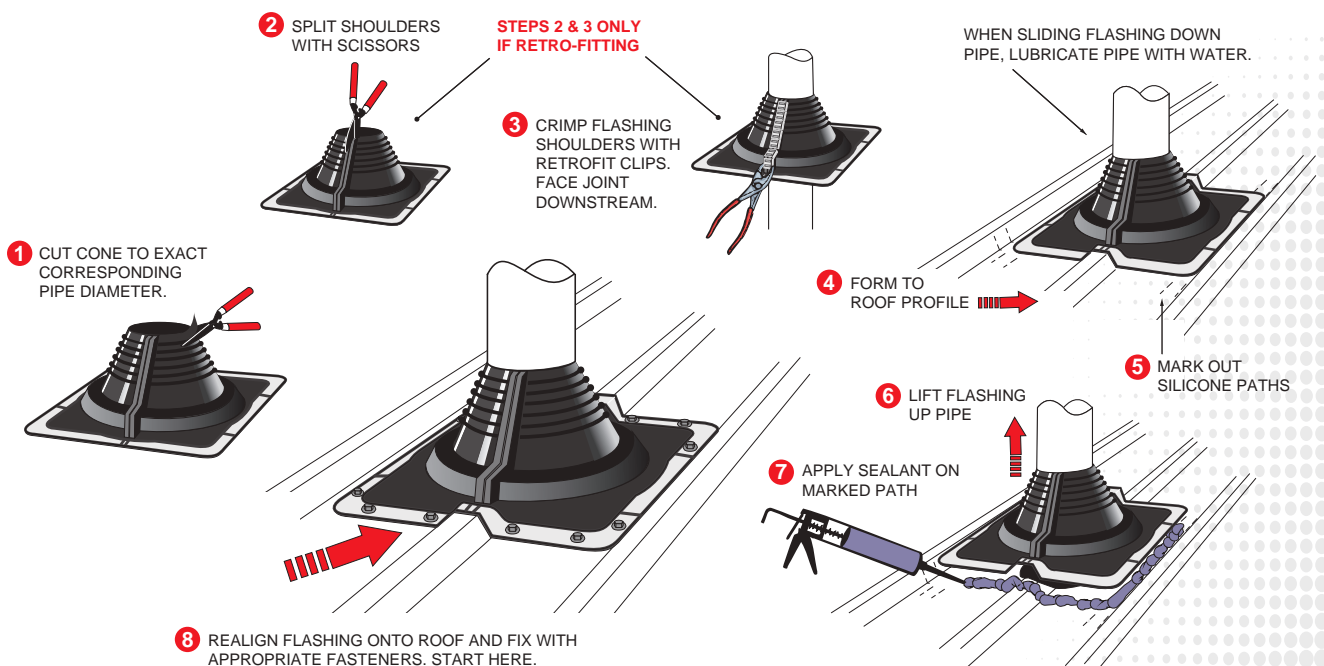
- Suitable for both standard and retrofit application
- Wraps around existing pipes
- Suitable for repairs
- Full range of sizes
- Polymer is Ozone and UV resistant
- 20 Year warranty
- EPDM Black BAL Rating 12.5 & Silicone Red BAL Rating 29



Aquaseal FlashRite	Black EPDM Code	Red Silicone Code	Grey EPDM Code	Metric: Pipe Size (25° roof pitch)	Metric: Pipe Size (45° roof pitch)	Imperial: Pipe Size (25° roof pitch)	Imperial: Pipe Size (45° roof pitch)	Base size	Max retrofit clips required	Box Qty
Mini	AFE0B3-20	AFS0R3-20	AFE0G3-20	3-25mm	3-20mm	1/8" - 1"	1/8" - 3/4"	80x80mm	n/a	20
No.1	AFE1B5-45	AFS1R5-45	AFE1G5-45	5-50mm	5-40mm	1/8" - 2"	1/8" - 1 1/2"	120x120mm	n/a	20
No.2	AFE2B25-70	AFS2R25-70	AFE2G25-70	25-70mm	25-65mm	1" - 2 3/4"	1" - 2 1/2"	163x163mm	3	20
No.3	AFE3B50-100	AFS3R50-100	AFE3G50-100	50-100mm	50-80mm	2" - 4"	2" - 3 1/2"	210x210mm	4	10
No.4	AFE4B90-150	AFS4R90-150	AFE4G90-150	90-150mm	90-130mm	3 1/2" - 6"	3 1/2" - 5"	260x260mm	5	10
No.5	AFE5B125-200	AFS5R125-200	AFE5G125-200	125-200mm	125-165mm	5" - 8"	5" - 6 1/2"	313x313mm	5	10
No.6	AFE6B150-230	AFS6R150-230	AFE6G150-230	150-250mm	150-230mm	6" - 10"	6" - 9"	370x370mm	6	10
No.7	AFE7B200-300	AFS7R200-300	AFE7G200-300	195-300mm	195-255mm	8" - 11 1/2"	8" - 10"	440x440mm	7	5

EPDM will withstand constant temperatures of -40°C (-40°F) to 115°C (239°F) Silicone will withstand constant temperatures of -50°C (-58°F) to 200°C (392°F)
 *BAL rated for EPDM Black & Silicone Red

Installation Overview





Round

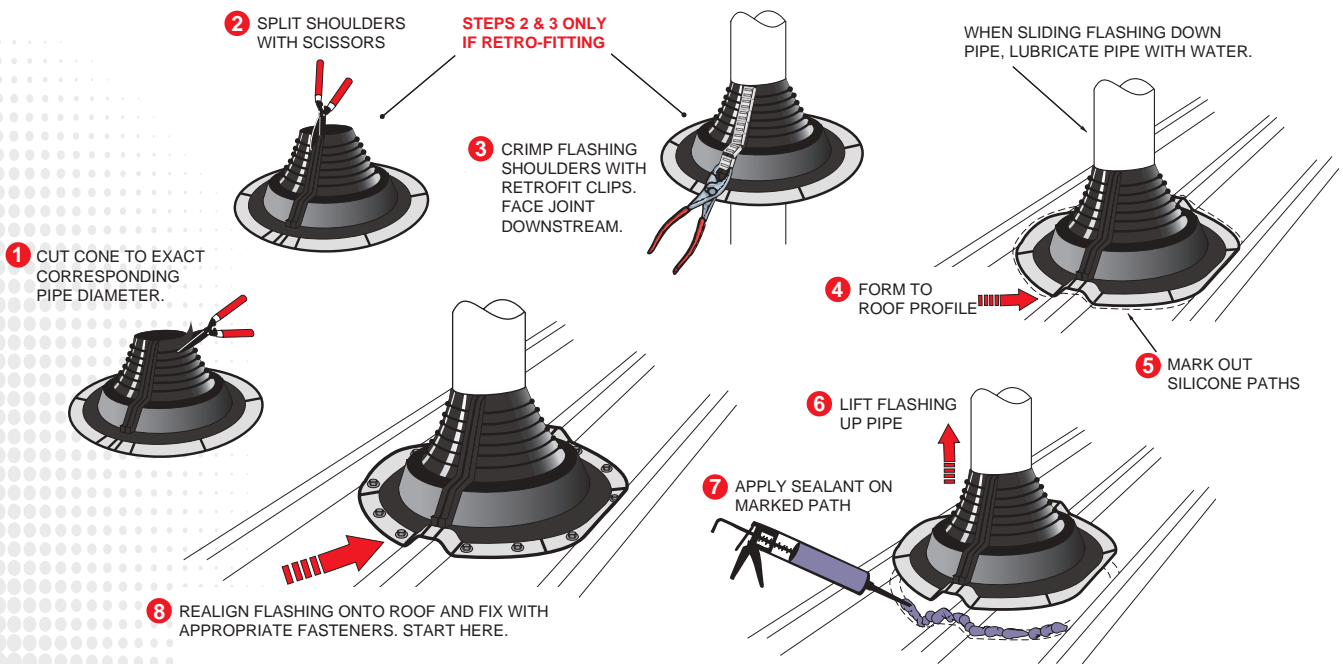
Benefits

- Suitable for both standard and retrofit application
- Wraps around existing pipes
- Suitable for repairs
- Full range of sizes
- Polymer is Ozone and UV resistant
- 20 Year warranty
- EPDM Black BAL Rating 12.5 & Silicone Red BAL Rating 29

Aquaseal Round	Black EPDM Code	Red Silicone Code	Metric: Pipe Size (25° roof pitch)	Metric: Pipe Size (45° roof pitch)	Imperial: Pipe Size (25° roof pitch)	Imperial: Pipe Size (45° roof pitch)	Base size	Max retrofit clips required	Box Qty
Mini	ARE0B0-25	ARS0R0-25	0-25mm	0-25mm	0"-1"	0"-1"	90mm	n/a	20
No.1	ARE1B0-40	ARS1R0-40	0-40mm	0-40mm	0"-1½"	0"-1½"	125mm	3	20
No.2	ARE2B12-70	ARS2R12-70	12-70mm	12-70mm	½"- 3½"	½"- 3½"	170mm	4	20
No.3	ARE3B25-100	ARS3R25-100	25-100mm	25-100mm	1"-4"	1"-4"	222mm	4	10
No.4	ARE4B50-150	ARS4R50-150	50-150mm	50-140mm	2"-6"	2"-5½"	272mm	6	10
No.5	ARE5B75-180	ARS5R75-180	75-180mm	75-150mm	3"-7"	3"-6"	322mm	6	10
No.6	ARE6B100-215	ARS6R100-215	100-215mm	100-165mm	4"-8½"	4"-6½"	375mm	8	10
No.7	ARE7B125-305	ARS7R125-305	125-305mm	125-280mm	5"-12"	5"-11"	467mm	9	10

EPDM will withstand constant temperatures of -40°C (-40°F) to 115°C (239°F) Silicone will withstand constant temperatures of -50°C (-58°F) to 200°C (392°F)
 *BAL rated for EPDM Black & Silicone Red

Installation Overview





AQUASEAL



Original

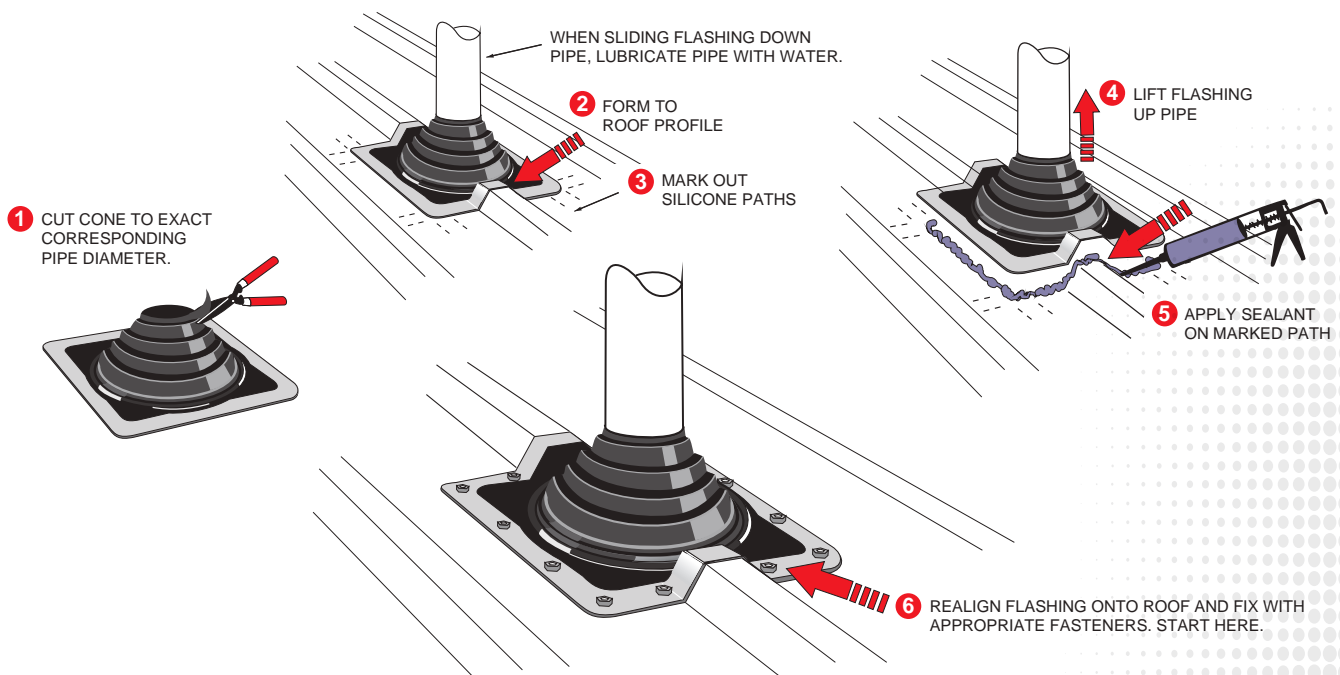
Benefits

- Full range of sizes
- Polymer is Ozone and UV resistant
- 20 Year warranty
- EPDM Black BAL Rating 12.5

Aquaseal Original	Black EPDM Code	Metric: Pipe Size (25° roof pitch)	Metric: Pipe Size (45° roof pitch)	Imperial: Pipe Size (25° roof pitch)	Imperial: Pipe Size (45° roof pitch)	Base size	Box Qty
No.2	AOE2B	25-90mm	25-75mm	1" - 3½"	1" - 3"	155x155mm	20
No.3	AOE3B	50-127mm	50-115mm	2" - 5"	2" - 4½"	203x203mm	10
No.4	AOE4B	90-165mm	90-140mm	3½" - 6½"	3½" - 5½"	255x255mm	10
No.5	AOE5B	130-216mm	130-190mm	5" - 8½"	5" - 7½"	305x305mm	10
No.6	AOE6B	165-267mm	165-245mm	6½" - 10½"	6½" - 9½"	355x355mm	10
No.7	AOE7B	215-330mm	215-305mm	8½" - 12½"	8½" - 11½"	432x432mm	5

EPDM will withstand constant temperatures of -40°C (-40°F) to 115°C (239°F) *BAL rated for EPDM Black

Installation Overview





Special

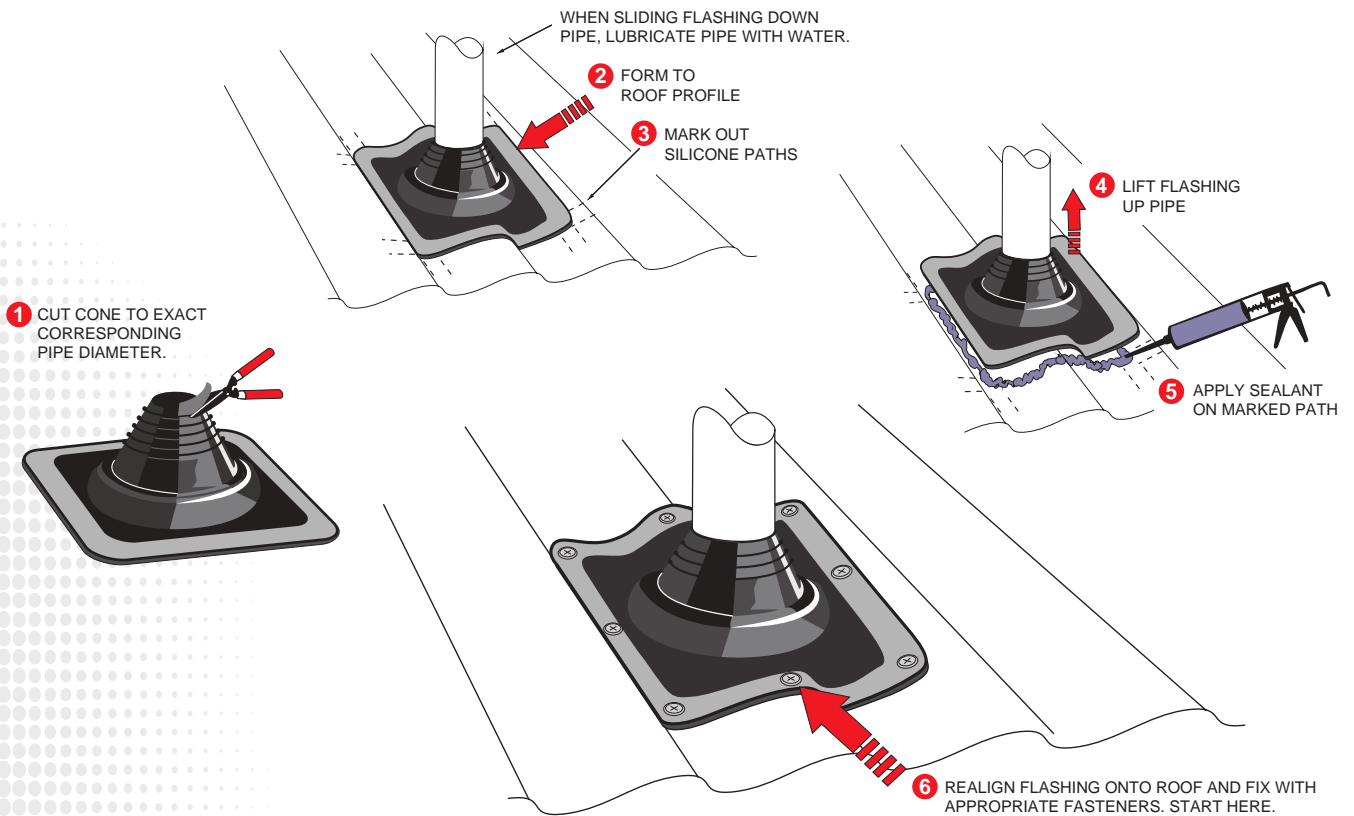
Benefits

- No.1 Special is great for solar, TV antenna and PVC vent pipes. It also has two cable entry points for electrical and coaxial cables.
- No.2 Special is designed for 50mm vent pipes. Does not require to be cut to size, just slip, fit & fasten.
- Polymer is Ozone and UV resistant
- 20 Year warranty
- EPDM Black BAL Rating 12.5 & Silicone Red BAL Rating 29

Aquaseal Special	Black EPDM Code	Red Silicone Code	Grey EPDM Code	Metric: Pipe Size (25° roof pitch)	Metric: Pipe Size (45° roof pitch)	Imperial: Pipe Size (25° roof pitch)	Imperial: Pipe Size (45° roof pitch)	Base size	Box Qty
No.1	ASE1B5-45	ASS1R5-45	N/A	5-50mm	5-40mm	½" - 2"	½ - 1½"	115x115mm	20
No.2	ASE2B50-80	N/A	ASE2G50-80	50-80mm	50-65mm	2" - 2½"	2" - 2½"	155x155mm	20

EPDM will withstand constant temperatures of -40°C (-40°F) to 115°C (239°F) Silicone will withstand constant temperatures of -50°C (-58°F) to 200°C (392°F)
 *BAL rated for EPDM Black & Silicone Red

Installation Overview



Square Flasher

Benefits

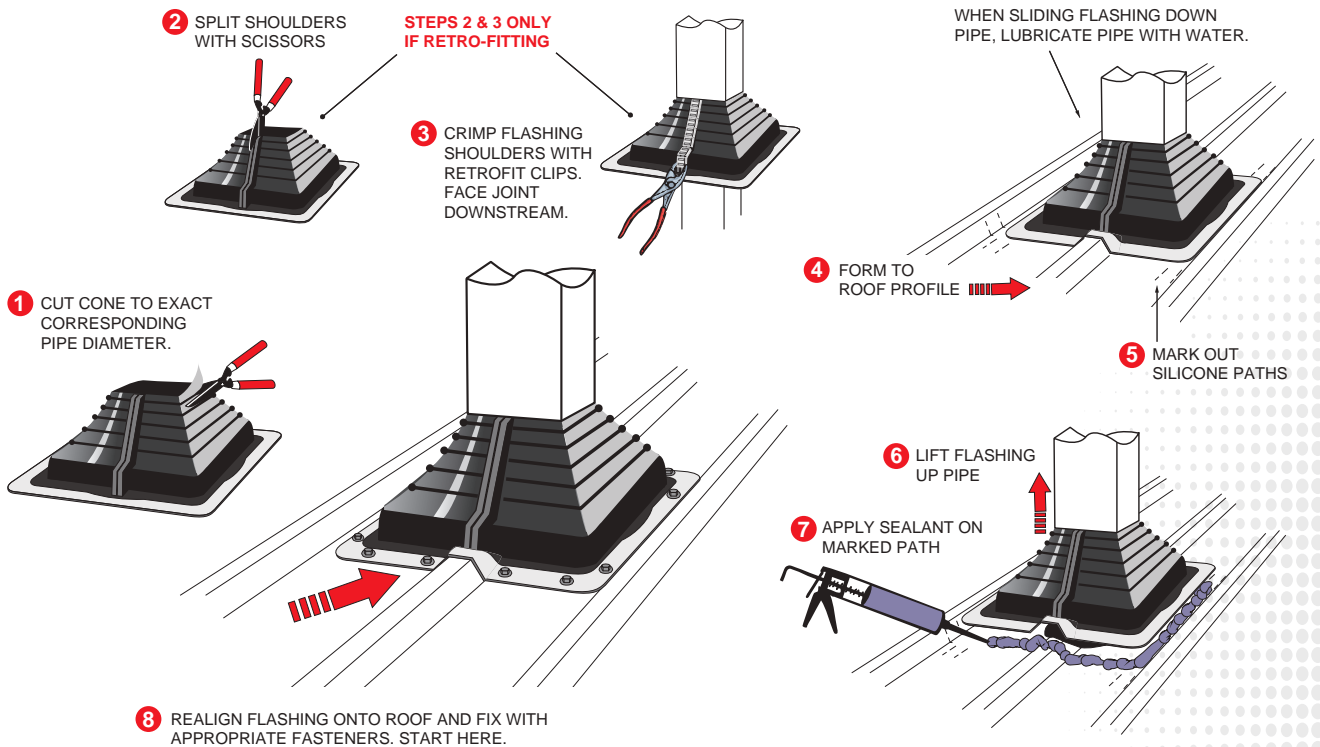
- Suitable for both standard and retrofit application
- Available in two sizes
- Flash square pipes from 25 to 150mm
- Polymer is Ozone and UV resistant
- 20 Year warranty
- EPDM Black BAL Rating 12.5



Aquaseal Square Flasher	Black EPDM Code	Grey EPDM Code	Metric: Pipe Size (25° roof pitch)	Metric: Pipe Size (45° roof pitch)	Imperial: Pipe Size (25° roof pitch)	Imperial: Pipe Size (45° roof pitch)	Base size	Max retrofit clips required	Box Qty
No.3	ASQE3B25-100	ASQE3G25-100	25-100mm	25-75mm	1" - 4"	1" - 3"	210x210mm	5	10
No.5	ASQE5B100-150	ASQE5G100-150	100-150mm	100-150mm	4" - 6"	4" - 6"	313x313mm	6	10

EPDM will withstand constant temperatures of -40°C (-40°F) to 115°C (239°F) *BAL rated for EPDM Black

Installation Overview





AQUASEAL



MultiSeal

Benefits

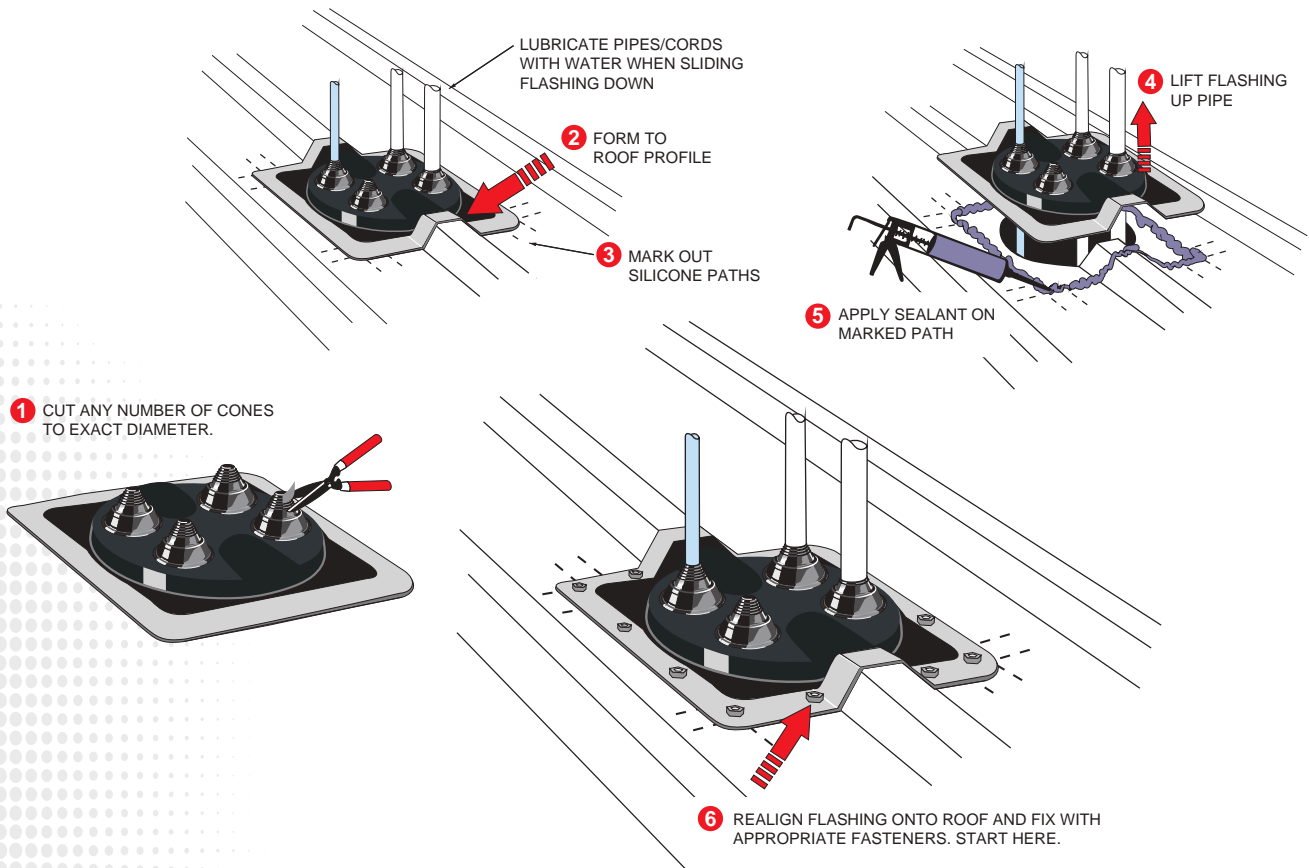
- Ideal for multiple penetrations (electrical, water, heating and air-conditioning)
- Makes multiple sealing simple.
- Polymer is Ozone and UV resistant
- 20 Year warranty
- EPDM Black BAL Rating 12.5



Aquaseal MultiSeal	Black EPDM Code	Metric: Pipe Size (25° roof pitch)	Metric: Pipe Size (45° roof pitch)	Imperial: Pipe Size (25° roof pitch)	Imperial: Pipe Size (45° roof pitch)	Base size	Box Qty
No.5	AME5B	5-40mm x 4ports	5-40mm x 4ports	1/8" - 1 1/2" x 4ports	1/8" - 1 1/2" x 4ports	305x305mm	10

EPDM will withstand constant temperatures of -40°C (-40°F) to 115°C (239°F) *BAL rated for EPDM Black

Installation Overview



Drainer

Benefits

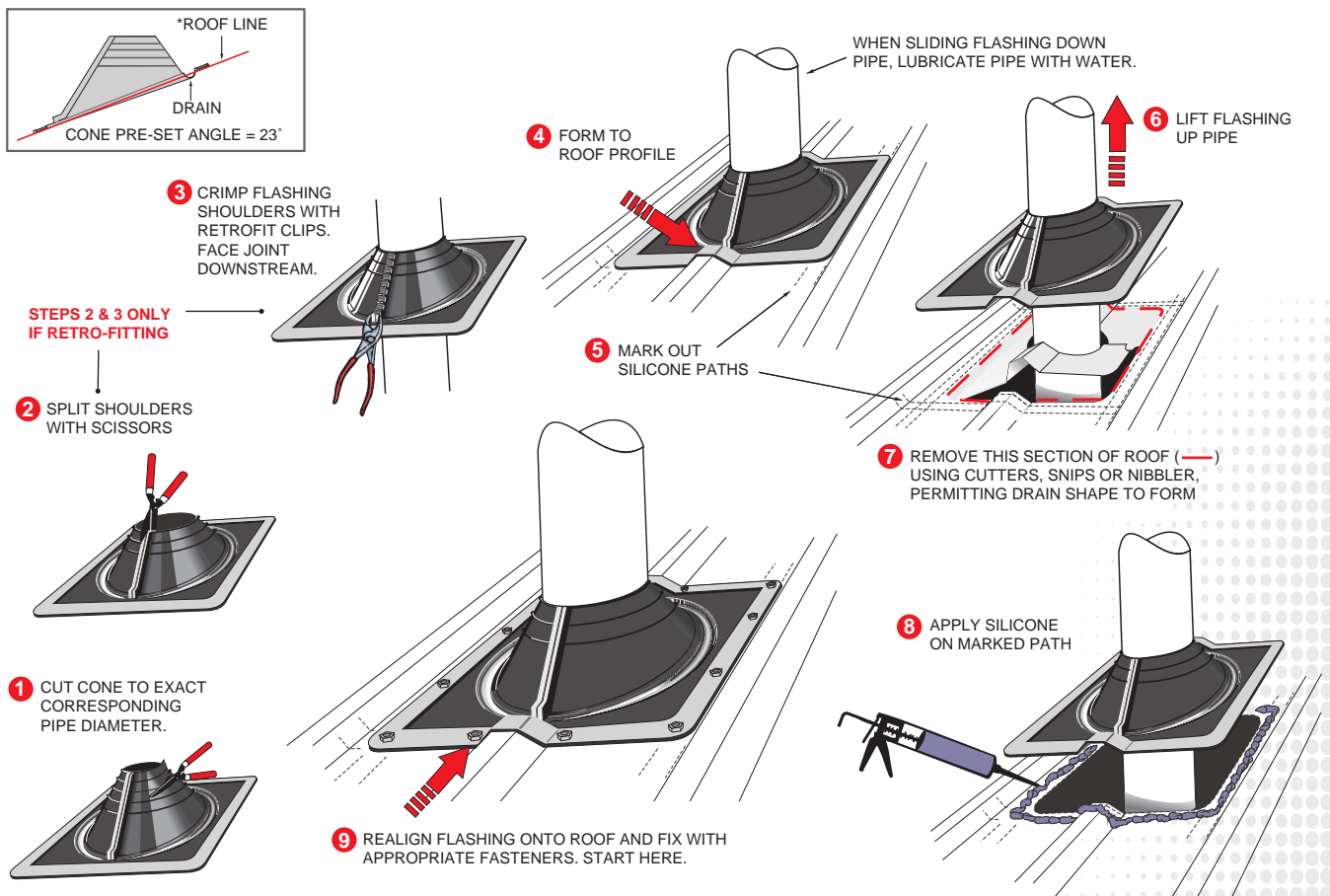
- Suitable for both standard and retrofit application
- Moulded gutter reduces damming
- Suitable for extreme roof pitches
- Can flash a 200mm O.D. pipe on a 45° roof pitch
- Ozone and UV resistant
- 20 Year warranty
- EPDM Black BAL Rating 12.5



Aquaseal Drainer	Black EPDM Code	Metric: Pipe Size (25° roof pitch)	Metric: Pipe Size (45° roof pitch)	Imperial: Pipe Size (25° roof pitch)	Imperial: Pipe Size (45° roof pitch)	Base size	Max retrofit clips required	Box Qty
No.6	ADE6B100-200	100-200mm	100-200mm	4" - 8"	4" - 8"	370x370mm	9	10

EPDM will withstand constant temperatures of -40°C (-40°F) to 115°C (239°F) *BAL rated for EPDM Black

Installation Overview





Wall Flasher

Benefits

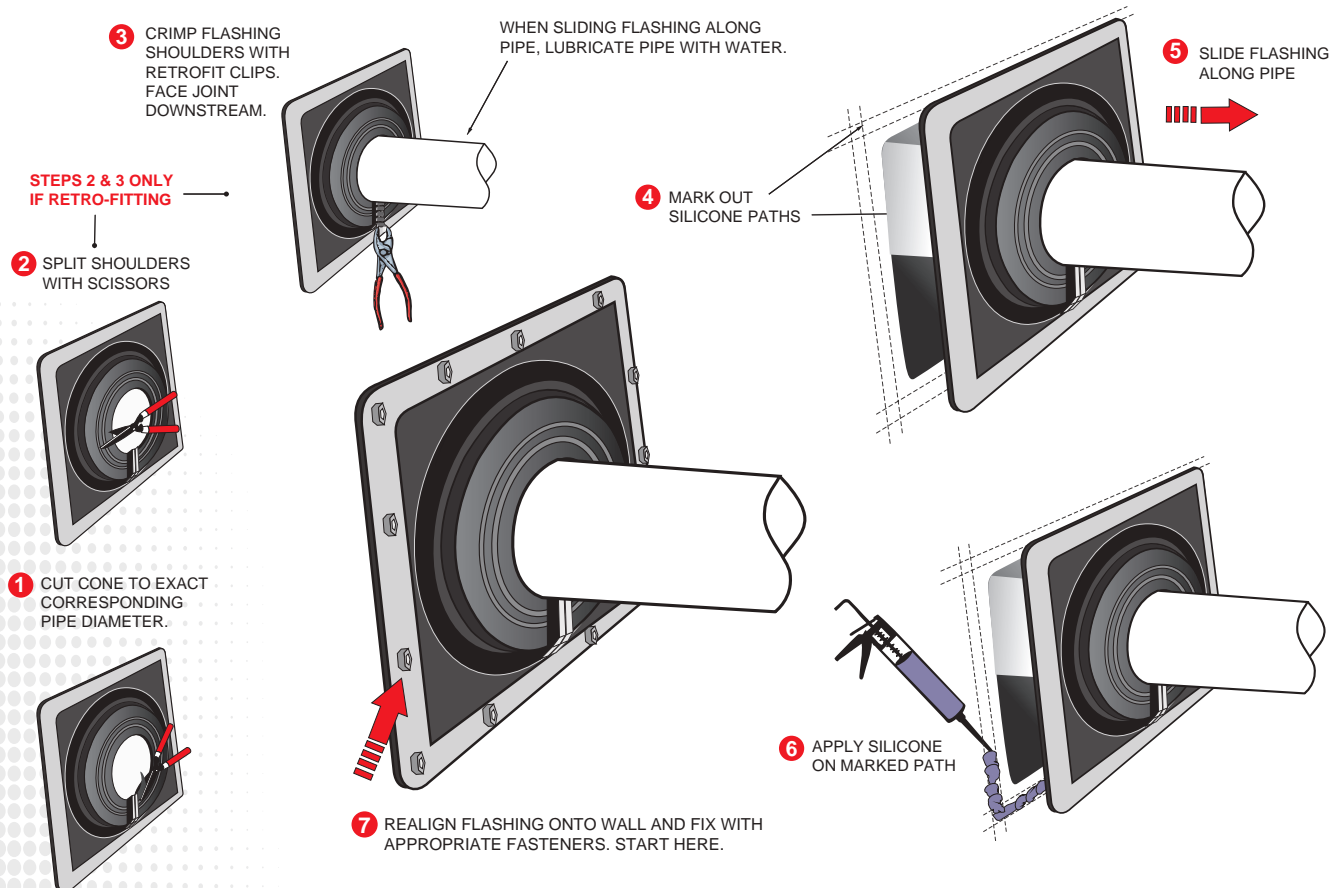
- Suitable for horizontal wall pipe installations
- Suitable for both standard and retrofit application
- Blocks drafts, dirt and insects to keep working environment clean
- Ozone and UV resistant
- Seal open holes in wall/roof
- 20 Year warranty
- EPDM Black BAL Rating 12.5



Aquaseal Wall Flasher	Black EPDM Code	Grey EPDM Code	Metric: Pipe Size	Imperial: Pipe Size	Base size	Max retrofit clips required	Box Qty
No.3	AWE3B0-125	AWE3G0-125	0-125mm	0" - 5"	210x210mm	4	10

EPDM will withstand constant temperatures of -40°C (-40°F) to 115°C (239°F) *BAL rated for EPDM Black

Installation Overview





LDX

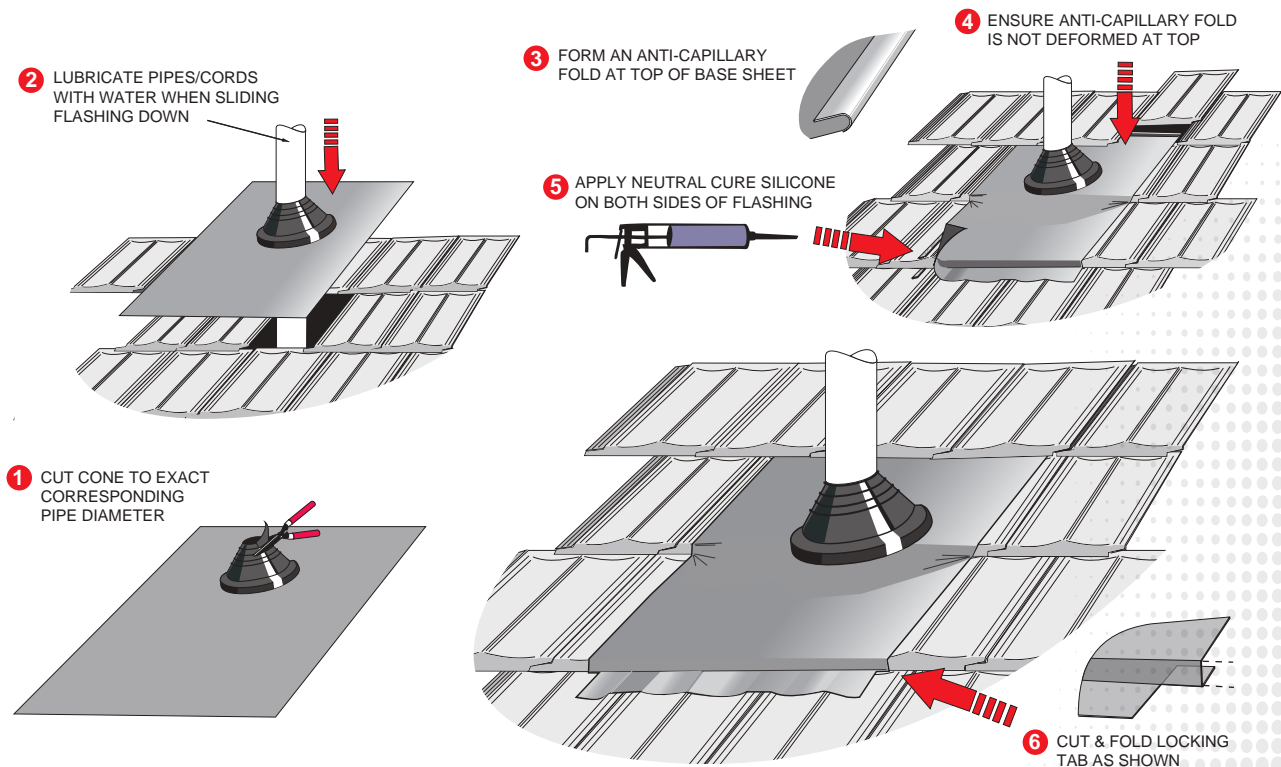
Benefits

- An alternative to lead flashings
- Non-toxic - Unlike traditional lead flashings, Versatile LDX does not contain any heavy metals
- Light weight - LDX is much lighter than lead pipe flashings and therefore easier to use
- 20 year warranty

Versatile LDX	Black EPDM Code	Red Silicone Code	Metric: Pipe Size (25° roof pitch)	Metric: Pipe Size (45° roof pitch)	Imperial: Pipe Size (25° roof pitch)	Imperial: Pipe Size (45° roof pitch)	Base size
No. 1 (Small)	VLDXB5-40S	VLDXR5-40S	5-50mm	5-40mm	1/8" - 2"	1/8" - 1 1/2"	300x450mm
No. 1	VLDXB5-40	VLDXR5-40	5-50mm	5-40mm	1/8" - 2"	1/8" - 1 1/2"	400x500mm
No. 2	VLDXB12-125	VLDXR12-125	12-125mm	12-90mm	1/2" - 5"	1/2" - 3 1/2"	400x500mm
No. 2 (Pre-Cut)	VLDXB50-90	VLDXR50-90	50-90mm	50-65mm	2" - 3 1/2"	2" - 2 1/2"	400x500mm
No. 3	VLDXB100-150	VLDXR100-150	100-150mm	100-110mm	4" - 6"	4" - 4 1/2"	400x500mm
No. 7	VLDXB150-300	VLDXR150-300	150-300mm	150-255mm	6" - 11 1/2"	6" - 10"	600x850mm

EPDM will withstand constant temperatures of -40°C (-40°F) to 115°C (239°F) Silicone will withstand constant temperatures of -50°C (-58°F) to 200°C (392°F)

Installation Overview





**AQUASEAL
VERSATILE**

Enviro-Lead

Benefits

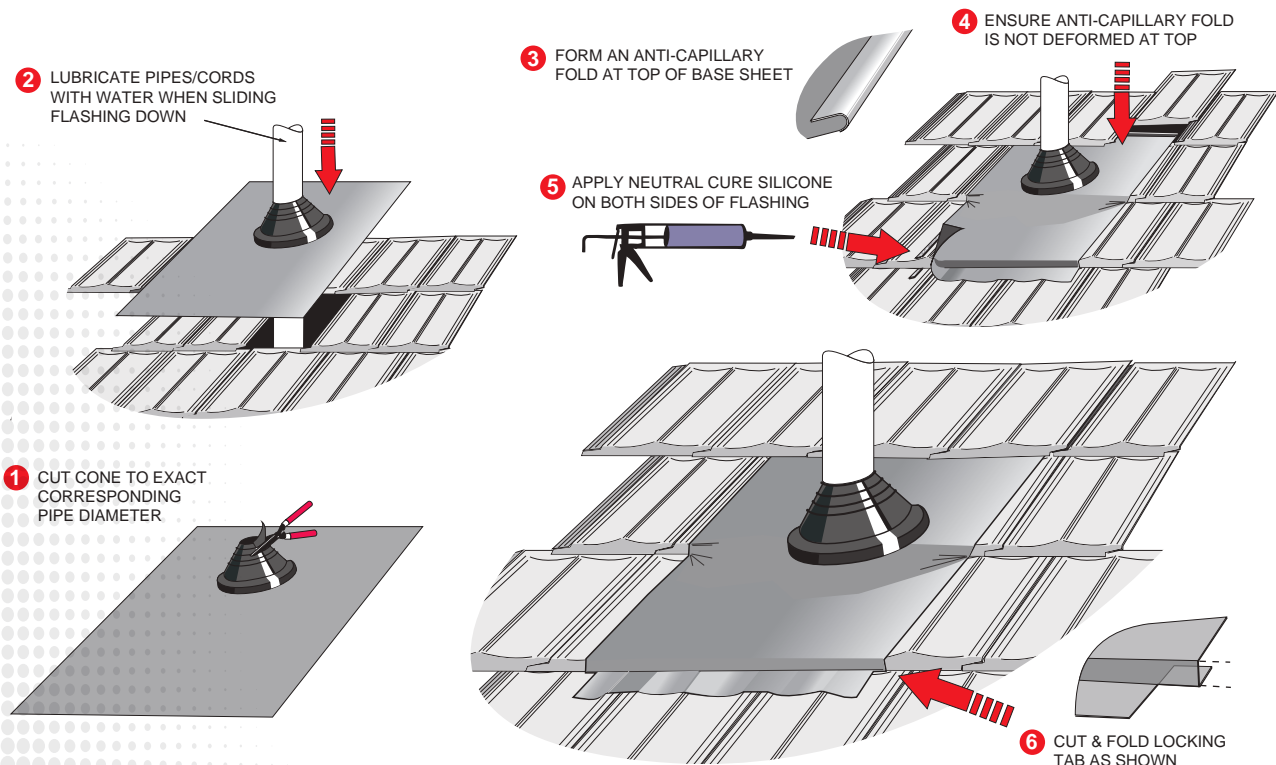
- Acrylic coating helps prevent lead leaching
- Can be painted to match roof colour with acrylic house paint
- Polymer is Ozone and UV resistant
- Safe to handle
- 20 year warranty



Versatile Enviro-Lead	Black EPDM Code	Red Silicone Code	Metric: Pipe Size (25° roof pitch)	Metric: Pipe Size (45° roof pitch)	Imperial: Pipe Size (25° roof pitch)	Imperial: Pipe Size (45° roof pitch)	Base size
No.1	VLEC1B5-40	VLSC1R5-40	5-50mm	5-40mm	1/8" - 2"	1/8" - 1 1/2"	490x410mm
No.2	VLES2B12-125	VLSS2R12-125	12-125mm	12-90mm	1/2" - 5"	1/2" - 3 1/2"	490x410mm
No.2 (Pre-Cut)	VLEC2B50-90	VLSC2R50-90	50-90mm	50-65mm	2" - 3 1/2"	2" - 2 1/2"	600x450mm
No.3	VLEC3B100-150	VLSC3R100-150	100-150mm	100-110mm	4" - 6"	4" - 4 1/2"	600x450mm
No.7	VLEC7B150-300	VLSC7R150-300	150-300mm	150-255mm	6" - 11 1/2"	6" - 10"	850x600mm

EPDM will withstand constant temperatures of -40°C (-40°F) to 115°C (239°F) Silicone will withstand constant temperatures of -50°C (-58°F) to 200°C (392°F)

Installation Overview





Natural Lead

Benefits

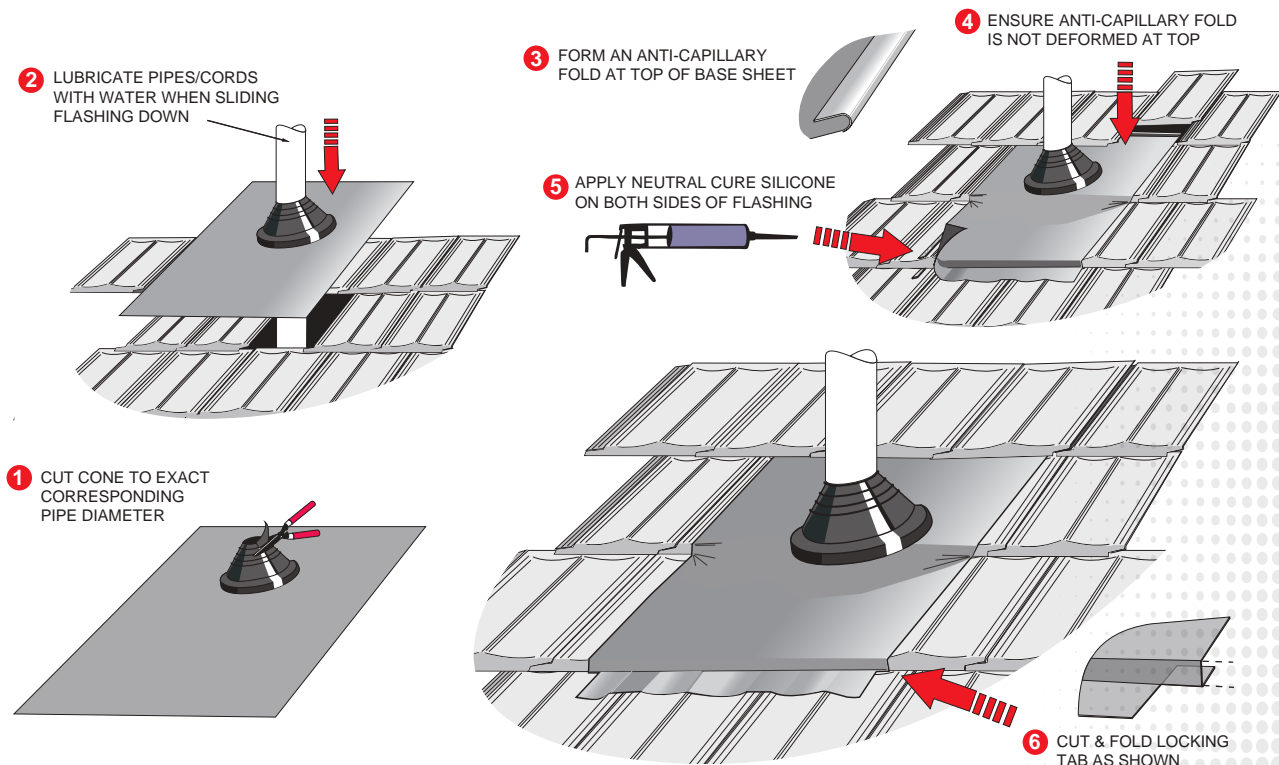
- Can be painted to match roof colour with acrylic house paint
- Polymer is Ozone and UV resistant
- 20 year warranty



Versatile Natural Lead	Black EPDM Code	Metric: Pipe Size (25° roof pitch)	Metric: Pipe Size (45° roof pitch)	Imperial: Pipe Size (25° roof pitch)	Imperial: Pipe Size (45° roof pitch)	Base size
No.1	VLEM1B20-100	20-100mm	20-75mm	¾" - 4"	¾" - 3"	490x410mm
No.7	VLEM7B180-270	180-270mm	180-225mm	7" - 10½"	7" - 9"	700x600mm

EPDM will withstand constant temperatures of -40°C (-40°F) to 115°C (239°F)

Installation Overview





**AQUASEAL
VERSATILE**

Enviro-Lead Square Flasher

Benefits

- Can be painted to match roof colour with acrylic house paint
- Flash Square pipes from 40-100mm
- Polymer is Ozone and UV resistant
- Safe to handle
- 20 year warranty



Black EPDM Code	Metric: Pipe Size (25° roof pitch)	Metric: Pipe Size (45° roof pitch)	Imperial: Pipe Size (25° roof pitch)	Imperial: Pipe Size (45° roof pitch)	Base size
VLQE3B40-100	40-100mm	40-75mm	1½" - 4"	1½" - 3"	600x450mm

*EPDM will withstand constant temperatures of -40°C (-40°F) to 115°C (239°F)

Aluminium Square Flasher

Benefits

- 99.9% pure grade aluminium
- Can be painted to match roof colour with acrylic house paint
- Flash Square pipes from 40-100mm
- Polymer is Ozone and UV resistant
- 20 year warranty



Black EPDM Code	Metric: Pipe Size (25° roof pitch)	Metric: Pipe Size (45° roof pitch)	Imperial: Pipe Size (25° roof pitch)	Imperial: Pipe Size (45° roof pitch)	Base size
VAQE3B40-100	40-100mm	40-75mm	1½" - 4"	1½" - 3"	600x450mm

*EPDM will withstand constant temperatures of -40°C (-40°F) to 115°C (239°F)



**AQUASEAL
VERSATILE**

Aluminium Standard

Benefits

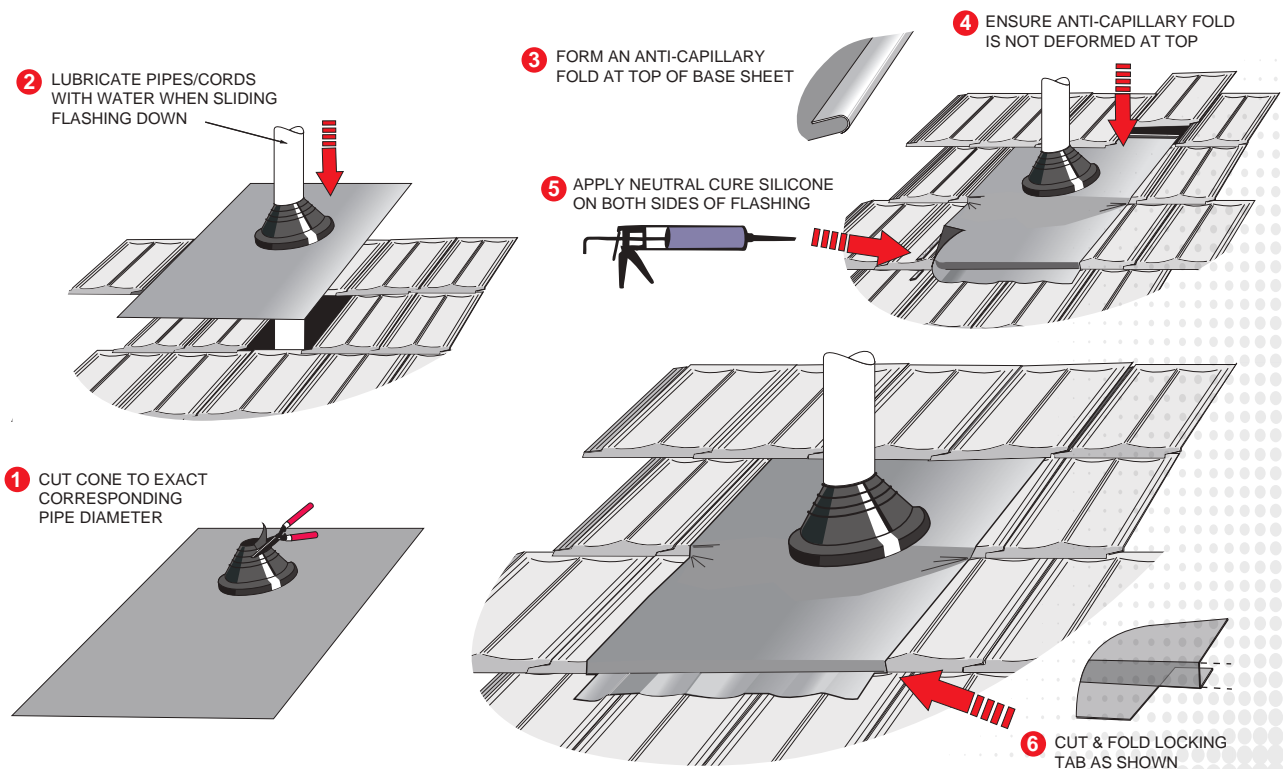
- 99.9% pure grade aluminium
- Can be painted to match roof colour with acrylic house paint
- Polymer is Ozone and UV resistant
- 20 year warranty



Versatile Aluminium Standard	Black EPDM Code	Red Silicone Code	Metric: Pipe Size (25° roof pitch)	Metric: Pipe Size (45° roof pitch)	Imperial: Pipe Size (25° roof pitch)	Imperial: Pipe Size (45° roof pitch)	Base size
No.1	VAECT1B5-40	VASCT1R5-40	5-50mm	5-40mm	½" - 2"	½" - 1½"	600x450mm
No.2	VAEST2B12-125	VASST2R12-125	12-125mm	12-90mm	½" - 5"	½" - 3½"	600x450mm
No.2 (Pre-Cut 2")	VAECT2B50-90	VASCT2R50-90	50-90mm	50-65mm	2" - 3½"	2" - 2½"	600x450mm
No.2 (Pre-Cut 4")	VAEFT2B100-125	VASFT2R100-125	100-125mm	100-100mm	4" - 5"	4" - 4"	600x450mm
No.3	VAEFT3B100-165	VASFT3R100-165	100-165mm	100-125mm	4" - 6½"	4" - 5"	600x450mm
No.4	VAEFT4B50-170	VASFT4R50-170	50-170mm	50-140mm	2" - 6¾"	2" - 5½"	600x450mm
No.5	VAEMT5B175-280	VASMT5R175-280	175-280mm	175-250mm	7" - 11"	7" - 10"	800x600mm
No.7	VAEMT7B180-270	VASMT7R180-270	180-270mm	180-225mm	7" - 10½"	7" - 9"	800x600mm
No.8	VAEMT8B180-350	VASMT8R180-350	180-350mm	180-275mm	7" - 13¾"	7" - 10⅝"	800x600mm

EPDM will withstand constant temperatures of -40°C (-40°F) to 115°C (239°F) Silicone will withstand constant temperatures of -50°C (-58°F) to 200°C (392°F)

Installation Overview





**AQUASEAL
VERSATILE**



Aluminium A° Series

Benefits

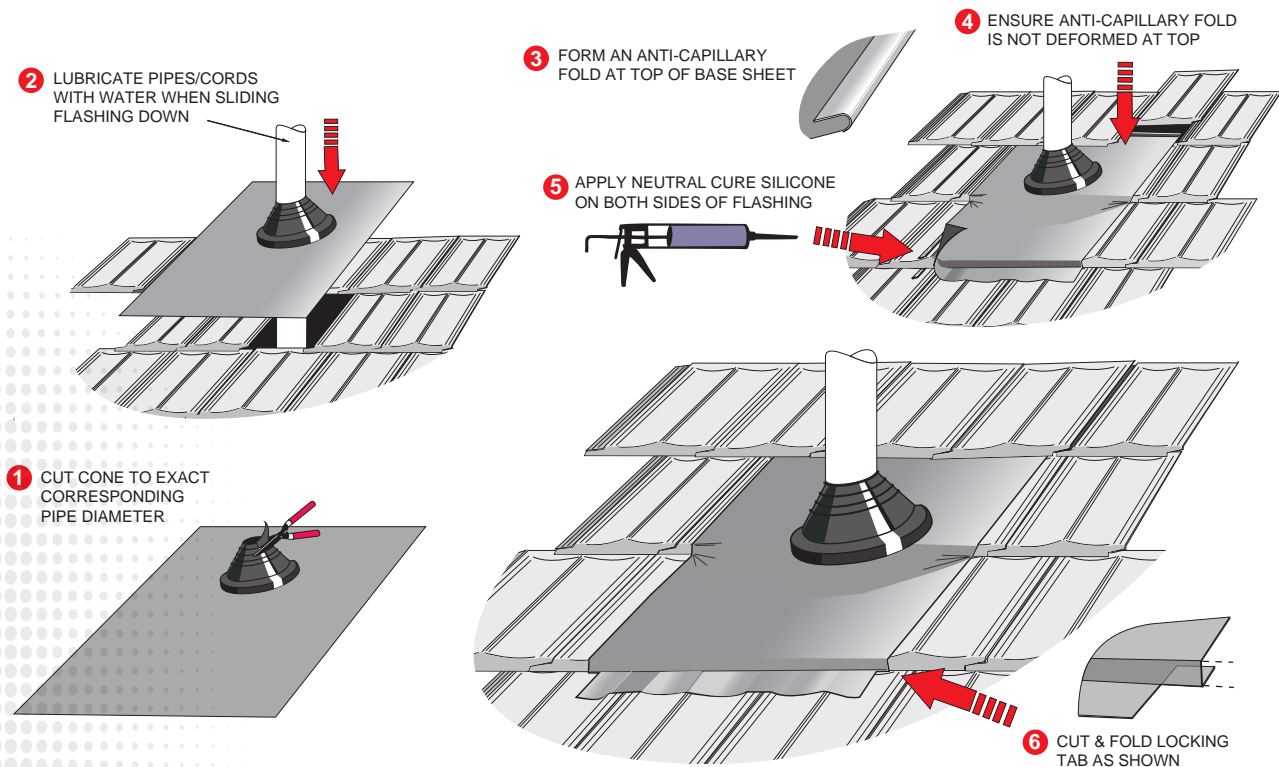
- 99.9% pure grade aluminium
- Great for extreme and normal roof pitches
- Can be painted to match roof colour with acrylic house paint
- Polymer is Ozone and UV resistant
- 20 year warranty



Versatile Aluminium A° Series	Black EPDM Code	Red Silicone Code	Metric: Pipe Size (25° roof pitch)	Metric: Pipe Size (45° roof pitch)	Imperial: Pipe Size (25° roof pitch)	Imperial: Pipe Size (45° roof pitch)	Base size
No.2	VA23B100-225	VA23R100-225	100-225mm	100-225mm	4" - 9"	4" - 9"	600x500mm
No.4	VA15B175-380	VA15R175-380	175-380mm	175-350mm	7" - 15"	7" - 14"	900x700mm

EPDM will withstand constant temperatures of -40°C (-40°F) to 115°C (239°F) Silicone will withstand constant temperatures of -50°C (-58°F) to 200°C (392°F)

Installation Overview





Flexatile Lead Free

Benefits

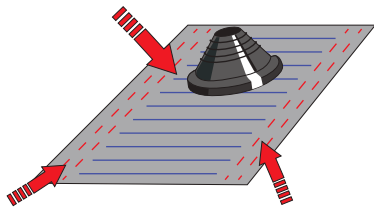
- Can be painted to match roof colour with acrylic house paint
- Light weight, non toxic, non corrosive
- Drinking water safe
- Polymer is Ozone and UV resistant
- 20 year warranty

Versatile Flexatile Lead Free	Black EPDM Code	Metric: Pipe Size (25° roof pitch)	Metric: Pipe Size (45° roof pitch)	Imperial: Pipe Size (25° roof pitch)	Imperial: Pipe Size (45° roof pitch)	Base Colour	Base size
No.1 (Terracotta)	VWEC1T5-40	5-50mm	5-40mm	½" - 2"	½" - 1½"	Terracotta	450x280mm
No.1 (Black)	VWEC1B5-40	5-50mm	5-40mm	½" - 2"	½" - 1½"	Black	450x280mm
No.2	VWES2B12-125	12-125mm	12-90mm	½" - 5"	½" - 3½"	Black	500x370mm
No.2 (Pre-Cut)	VWEC2B50-90	50-90mm	50-65mm	2" - 3½"	2" - 2½"	Black	500x370mm
No.3	VWEC3B100-150	100-150mm	100-110mm	4" - 6"	4" - 4½"	Black	500x370mm

*EPDM will withstand constant temperatures of -40°C (-40°F) to 115°C (239°F)

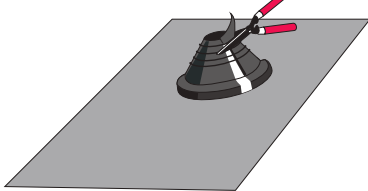
Installation Overview

3 REMOVE THE MIDDLE LINING FROM THE UNDERSIDE OF THE FLEXATILE

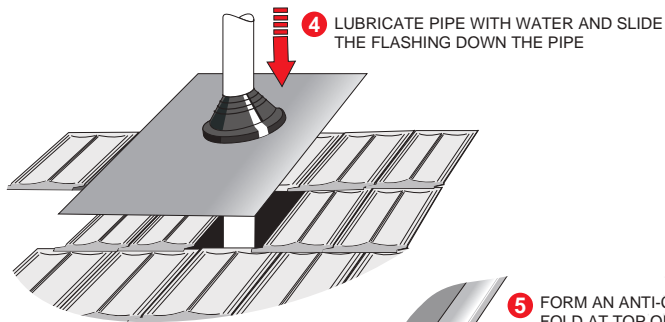


BUTYL ADHESIVE STRIP ON THE UNDERSIDE OF FLASHING

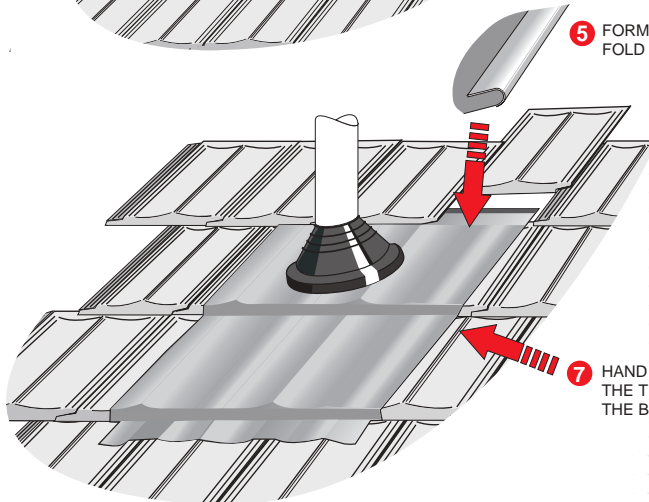
2 CUT THE RUBBER CONE AT LEAST 15mm SMALLER THAN PIPE O.D. WITH A SHARP KNIFE OR SCISSORS



1 ENSURE TILES ARE CLEANED BEFORE INSTALLING THE FLEXATILE FLASHING TO ENSURE THE BUTYL ADHESIVE STRIPS CAN HAVE MAXIMUM EFFECT WHEN BONDED TO THE TILES



4 LUBRICATE PIPE WITH WATER AND SLIDE THE FLASHING DOWN THE PIPE



5 FORM AN ANTI-CAPILLARY FOLD AT TOP OF BASE SHEET

6 REMOVE THE PROTECTIVE BACKING FROM THE UNDERSIDE OF FLASHING, THAT IS COVERING THE BUTYL ADHESIVE STRIPS

7 HAND FORM THE BASE ALL AROUND THE TILE AND APPLY PRESSURE TO THE BUTYL ADHESIVE SIDE STRIP



PIPE FLASHING ACCESSORIES



Retrofit Clips

Aquarius retrofit clips are designed for any Aquaseal flashing that incorporates the retrofit rib.

Benefits

- Retrofit clips allow pipe flashings to be wrapped around a pipe when traditional installation methods do not work

Type	Code	Pack Qty
Aluminium	ALC01/50	50
Stainless Steel	SSC01/50	50





EXPANSION JOINT

Expansion Strip Joint

The Expansion Strip Joint has been designed to install as an expansion joint for Industrial Box gutters.

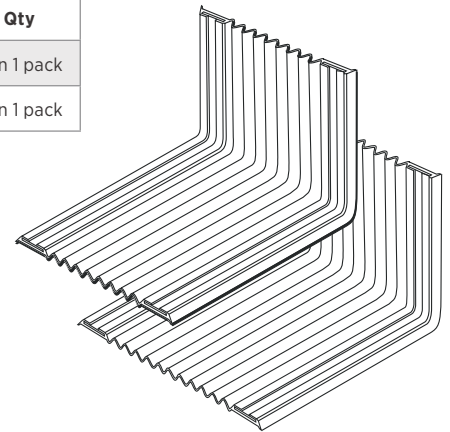
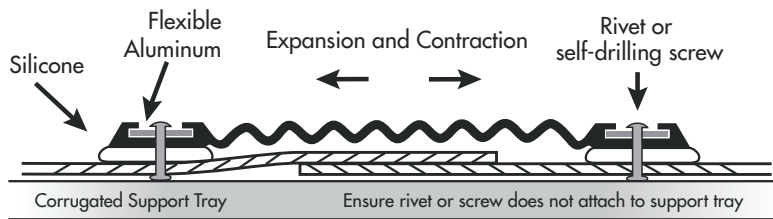
It replaces the need to box the end of two adjoining gutters and also the need to form a bridge to span the boxed ends.

Benefits

- Water can flow across to the adjoining gutter eliminating flooding



Code	Width	Length	Expansion Range	Support Metal	Pack Qty
ESJ145-5	145mm	5m	145 to 175mm	Aluminium	5m roll in 1 pack
ESJ200-5	200mm	5m	200 to 250mm	Aluminium	5m roll in 1 pack



Installation Overview



1 Mark the position of the support tray alleys on the gutter to allow for rivet installation clearance.



2 Clamp the Expansion Strip Joint into position and press into corners of the box gutter with square object (e.g. piece of wood).



3 Hold the Expansion Strip Joint in place whilst drilling rivet holes. Place rivets temporarily in position to stop flashing moving whilst drilling additional holes.



4 Remove the flashing and pull out rivets to brush away any metal swarf.



5 Apply a neutral cure silicone bead along the line of rivet holes on both box gutters.



6 Pop rivet the Expansion Strip Joint in place and smooth over the Silicone to complete installation.



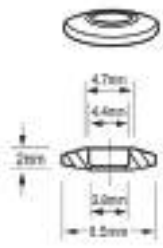
WASHERS AND GROMMETS

Moulded Washers

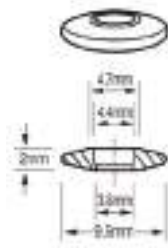
Aquarius stocks a range of moulded washers including the 10/14 gauge 26mm OD moulded grey dome washer. This dome washer is ideal for securing polycarbonate or fibreglass roofing sheets. The washer forms to the shape of the corrugated sheeting providing a watertight seal.



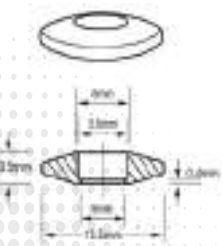
Code	Type	Suits	O.D.	Colour	Box Qty
W8MB8.5	Moulded	8g	8.5mm	Black	50,000
W10MB9.5	Moulded	10g	9.5mm	Black	50,000
W12MB13.5	Moulded	12g	13.5mm	Black	50,000
W14MB12	Moulded	14g	12mm	Black	50,000
W12/14MB30	Kliplok	12/14g	30mm	Black	8,000
W12/14MB36	Spandek	12/14g	36mm	Black	6,000
W8/12MB17	Fladome	8/12g	17mm	Black	50,000
W10/14DLG25	Dome	10/14g	25mm	Light Grey	2,500
W12/14DB19	Raised Top	12/14g	19mm	Black	100,000
W12/14DLG32	Dome	12/14g	32mm	Light Grey	2,000



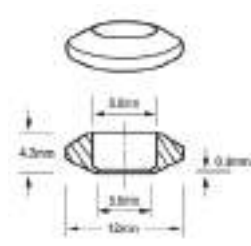
W8MB8.5



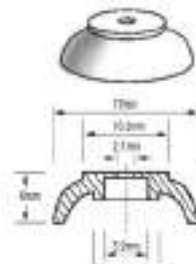
W10MB9.5



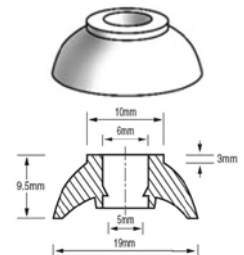
W12MB13.5



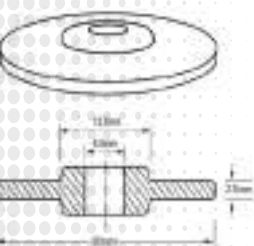
W14MB12



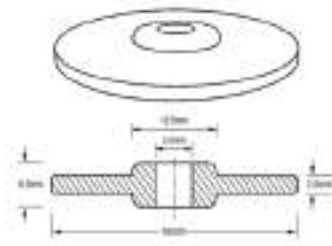
W8/12MG17



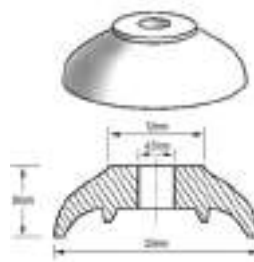
W12/14DB19



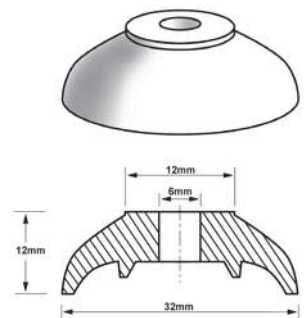
W12/14MB30



W12/14MB36



W10/14DLG25



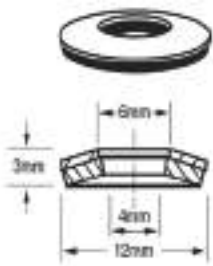
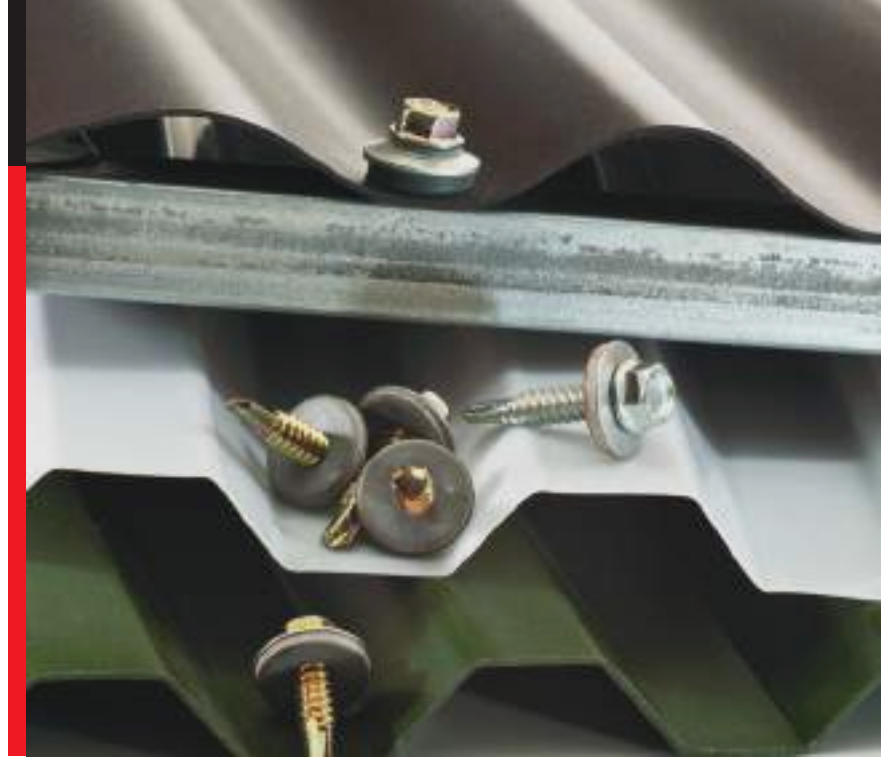
W12/14DLG32



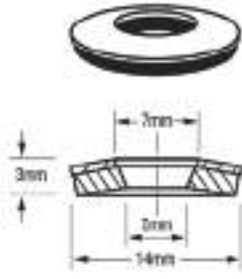
WASHERS AND GROMMETS

Bonded Washers

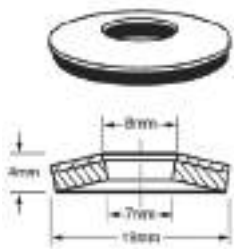
Bonded washers are manufactured using EPDM rubber bonded to aluminium, galvanised or stainless steel support material.



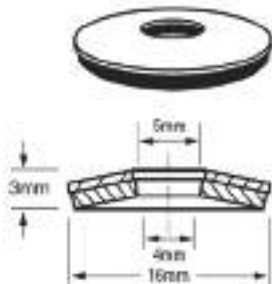
W10/12BSB12



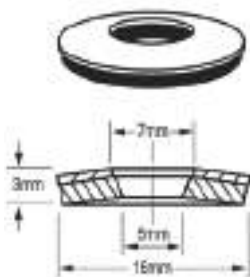
W12/14BAG14
W12/14BGG14
W12/14BSG14



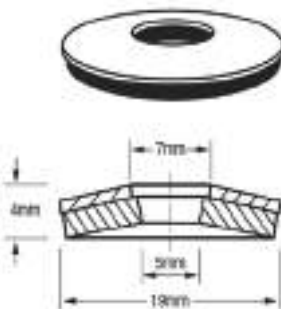
W8MMBAG19
W8MMBGG19



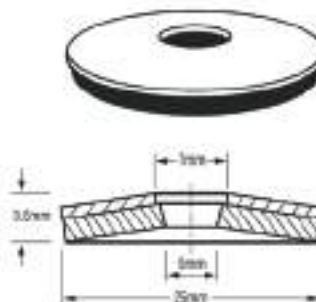
W8/10BGG16



W12/14BAG16
W12/14BGB16



W12/14BAG19
W12/14BGB19
W12/14BSG19



W12/14BAG25
W12/14BGG25
W12/14BSG25

Code	Type	Support Material	Suits	O.D.	Colour	Box Qty
W8MMBAG19	Bonded	Aluminium	8mm	19mm	Grey	8,000
W8MMBGG19	Bonded	Galvanised	8mm	19mm	Grey	8,000
W8/10BGG16	Bonded	Galvanised	8/10g	16mm	Grey	12,000
W10/12BSB12	Bonded	Stainless Steel	10/12g	12mm	Black	15,000
W12/14BAG14	Bonded	Aluminium	12/14g	14mm	Grey	10,000
W12/14BGG14	Bonded	Galvanised	12/14g	14mm	Grey	10,000
W12/14BSG14	Bonded	Stainless Steel	12/14g	14mm	Grey	10,000
W12/14BAG16	Bonded	Aluminium	12/14g	16mm	Grey	12,000
W12/14BGB16	Bonded	Galvanised	12/14g	16mm	Black	12,000
W12/14BAG19	Bonded	Aluminium	12/14g	19mm	Grey	8,000
W12/14BGB19	Bonded	Galvanised	12/14g	19mm	Black	8,000
W12/14BSG19	Bonded	Stainless Steel	12/14g	19mm	Grey	8,000
W12/14BAG25	Bonded	Aluminium	12/14g	25mm	Grey	4,000
W12/14BGG25	Bonded	Galvanised	12/14g	25mm	Grey	4,000
W12/14BSG25	Bonded	Stainless Steel	12/14g	25mm	Grey	4,000



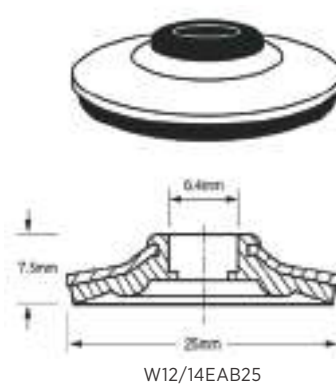
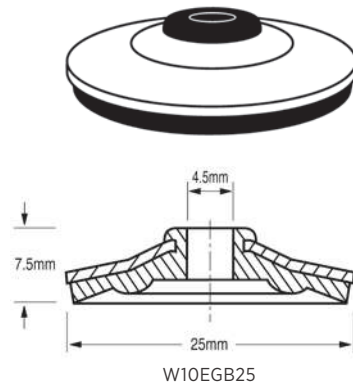
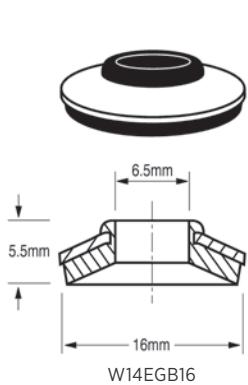
WASHERS AND GROMMETS

Embossed Washers

Embossed washers are manufactured from EPDM rubber with either aluminium or galvanised support material. This design provides a sealing surface for both the screw head and the metal support material.



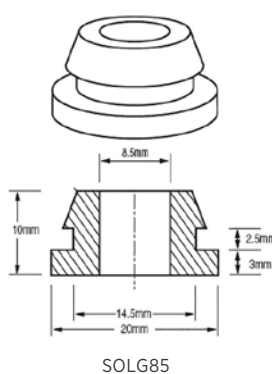
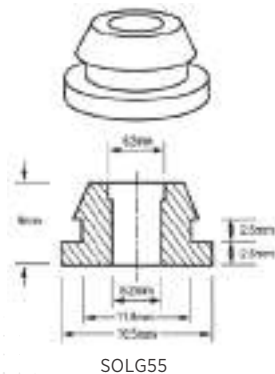
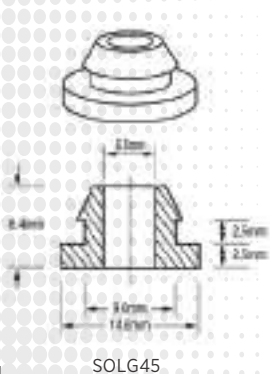
Code	Type	Support Material	Suits	O.D.	Colour	Box Qty
W14EGB16	Embossed	Galvanised	14g	16mm	Black	10,000
W10EGB25	Embossed	Galvanised	10g	25mm	Black	3,000
W12/14EAB25	Embossed	Aluminium	12/14g	25mm	Black	6,000



Grommets

Aquarius Grommets are manufactured from EPDM rubber, and are made in three sizes to suit your required needs.

Code	Type	I.D.	O.D.	Colour	Box Qty
SOLG45	Grommet	5.5mm	14.6mm	Black	5,000
SOLG55	Grommet	6.2mm	16.5mm	Black	50,000
SOLG85	Grommet	8.5mm	20mm	Black	5,000





Octopus Pipe Couplings

Octopus Pipe Couplings can be used on a variety of pipe materials, including PVC, copper, cast iron, clay, fibreglass and steel. Their versatility allows them to connect waste and drainage pipes of same or different sizes/materials and can be used in both under or above ground applications. **Note: Not suitable for potable water**

Benefits

- Manufactured to AS/NZS 4327
- Product Licence No. WMKT022696
- Connect waste and drainage pipes of same or different sizes and materials
- Couplings can flex with earth movement to maintain seal
- Only 316 stainless steel clamps and housings are used
- Use for sewage, drainage and other low-pressure applications
- Max Temperature Range:
Continuous: 38°C Intermittent: 60°C
- Easy way to connect misaligned pipes
- No special tools required - just use a screw driver or torque wrench
- Ideal for emergency repairs

Regular PVC Couplings

Part No.	Suits	Pack Qty
RC32	32mm PVC to 32mm PVC	100
RC40	40mm PVC to 40mm PVC	100
RC50	50mm PVC to 50mm PVC	100
RC65	65mm PVC to 65mm PVC	50
RC80	80mm PVC to 80mm PVC	50
RC90	90mm PVC to 90mm PVC	50
RC100	100mm PVC to 100mm PVC	27
RC150	150mm PVC to 150mm PVC	15

PVC Clay Couplings

Part No.	Suits	Pack Qty
RCC100	100mm PVC to 100mm E/ware/	30
RCC150	150mm PVC to 150mm E/ware/	12



Installation Overview

- Make sure pipe is adequately supported
- Loosen, but do not completely remove the steel clamps
- Fit coupling over both pipe ends
- Tighten clamps to 6.7 Nm torque
- Installation is subject to the requirements of the regulatory authority



Multi-purpose Rubber Ties

Aquarius Rubber Ties are UV and Ozone protected to prolong product life and are made from a specially formulated rubber compound that can withstand constant stretching and recoil action whilst maintaining tension under load. Safer than the traditional “Ocky” strap as there are no dangerous metal hooks. We recommend stretching them no more than 30-50% of their length for best performance and to maximise life expectancy.



Croc Strap Multi-purpose Tie

Part No: RTC10
Size: 580mm length

Benefits

- No dangerous metal hooks
- Daisy chain for longer lengths
- Eliminate tangled electrical leads
- Tie down PVC pipes & conduits
- Maintain tension under load
- UV protected to prolong product life



Tarp Tie Dog Bone 420mm

Part No: TTD420
Size: 420mm length x 50mm loops

Benefits

- No dangerous metal hooks
- Maintain tension under load
- Extendable rope can be tensioned
- Designed for high strain loads
- UV protected to prolong product life



Tarp Tie Dog Bone 630mm

Part No: TTD630
Size: 630mm length x 50mm loops

Benefits

- No dangerous metal hooks
- Maintain tension under load
- Extendable rope can be tensioned
- Designed for high strain loads
- UV protected to prolong product life



Tarp Tie Standard 330mm

Part No: TTS330
Size: 330mm length and 12mm thick

Benefits

- No dangerous metal hooks
- Safer than the old ‘Ocky Strap’
- Maintain tension under load
- Extendable rope can be tensioned
- UV protected to prolong product life



Anti Vibration Waffle Pads

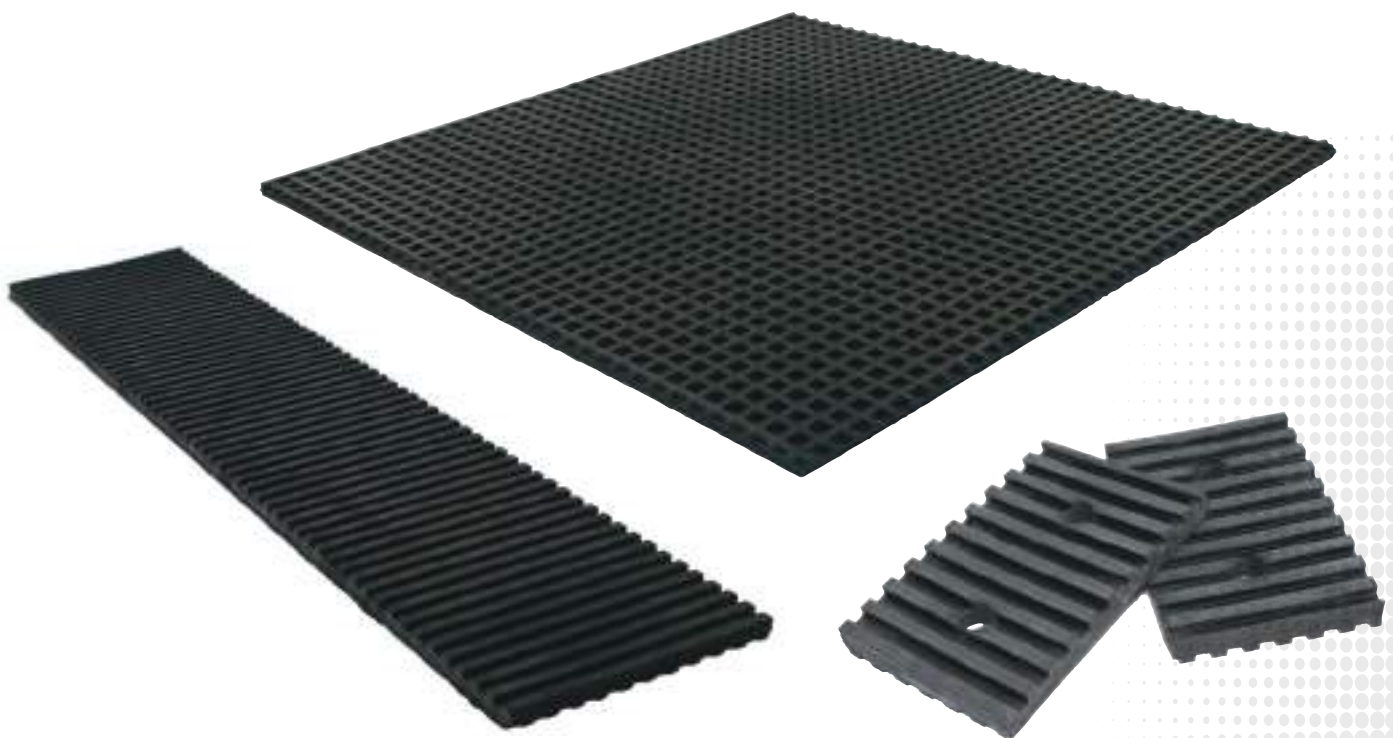
Anti Vibration Waffle Pads are suitable for use underneath equipment and/or for support stands to eliminate unnecessary equipment vibration associated with metal to metal contact.

Benefits

- Reduces vibration associated with metal to metal contact
- Versatility of use – applicable for generators, motors, machinery and air conditioning plants
- Can be used as an anti-slip mat for utility trays



Code	Size	Type	Material	Pack Qty
WP0000	450 X 450 X 8mm	Sheet	Rubber	10
WP0001	550 x 550 x 9mm	Sheet	Rubber	10
WP0002	550 x 550 x 15mm	Sheet	Rubber	5
WP0001A	110 x 550mm	Strip	Rubber	5
WP0001D	50 x 100mm	Rectangle with centre hole	Rubber	32





Styrowedge

The only fastening of its kind for fixing downpipes to foam walls.

Styrowedge gives plumbers, electricians and security services a solution to fixing objects to foam wallboards.

The styrowedge is simple and easy to use for attaching down pipes, security cameras or even lighting fixtures to foam wallboards.

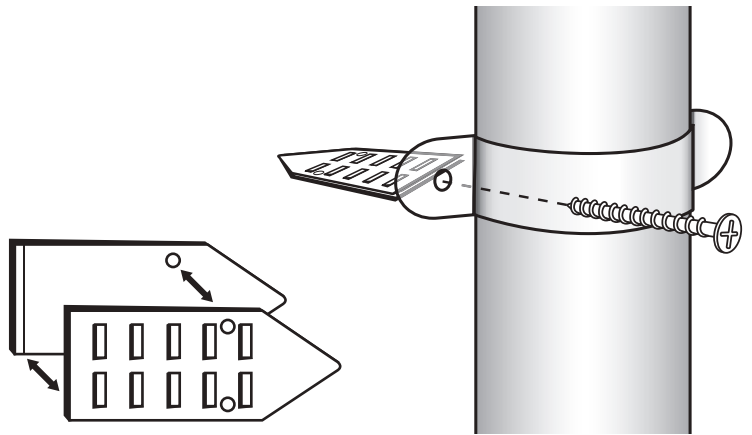
The styrowedge is made up of two interlocking plates which are inserted into the foam wallboard with either a 8 to 12 gauge screw being fastened in between the two plates, giving the user a firm and stable fixing.



Benefits

- Can hold up to 20kg
- No plywood backing needed

Code	Size	Pack Qty
STYWEG01	49 x 29mm	50



Installation Overview



1 Using a sharp blade, cut a 30mm slot, 50mm deep into the wall.



2 Take two Styrowedge halves and join the smooth sides together.



3 Insert the Styrowedge into the slot in the wall.



4 Ensure the Styrowedge is flush with the finish of the wall.



5 Place the downpipe and clip in position on the wall. Insert an 8-12 gauge screw into the Styrowedge and tighten into place.



6 Complete for remaining fastenings. NB. Ensure all penetrations are sealed.



Styroscrew

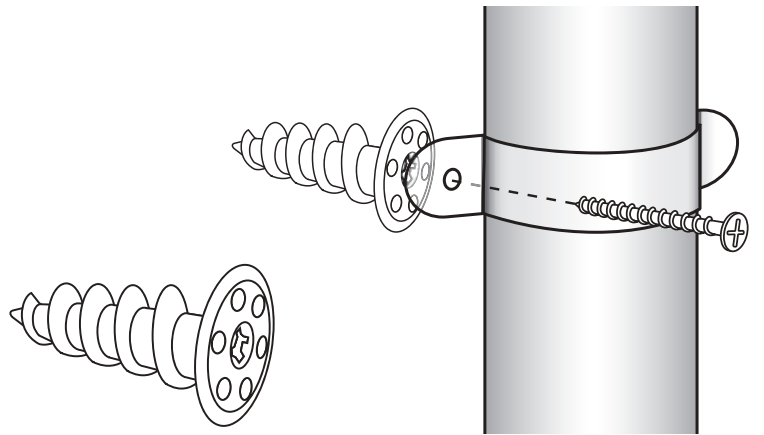
The Styroscrew is simple and easy to use for attaching down pipes, security cameras or even lighting fixtures to foam wallboards. A 6, 7 or 8 gauge screw can be used to fasten into the Styroscrew.

Benefits

- Great for fixing downpipes to polystyrene (EPS) walls
- The problem of fastening to polystyrene walls has been solved



Code	Size	Pack Qty
STYSCR01	50 x 25mm	50



Installation Overview



1 Items required: Styroscrew anchors, suitable 6g, 7g or 8g screw, Phillips driver bit and cordless drill.



2 Using Phillips driver bit, screw the Styroscrew anchor into the board until the flange is firmly against the board.



3 Place the clip or bracket over the Styroscrew anchor and secure with the metal screw you have selected.



Grab Stick

Introducing the multi-purpose GRAB STICK™, a remarkable magnetic holding tool that is ideal for many types of trades and applications – especially those on steel framed constructions or wherever steel is involved (including homes, offices, factories, warehouses and sheds). It really is like having an extra pair of hands, but without the additional labour cost!

Imagine the conveniences the GRAB STICK™ tool can provide: it can hold all types of metal roofing or fencing, it will temporarily retain insulation foils and sarking on walls and roofs, it can hold a measuring tape or stringline in place, and can aid tradespeople as they drill, cut or machine.

Benefits

- Guaranteed against rust – for life!
- Magnets within the device are ultra strong and will never lose power
- GRAB STICK™ is guaranteed for life for its function
- Quality Australian made product

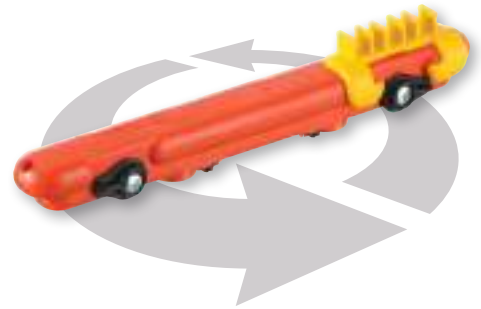


! Powerful Magnets – Can be used for various situations such as temporarily holding insulation foil in place.



! String Line Connection – For regular string lines or thin string lines.

! Side Locks – Prevents GRAB STICK™ from slipping under the weight of leads from wind.



Code
GRAB01





AQUARIUS
DISTRIBUTION

Tel: (+613) 9763 0044 Fax: (+613) 9764 1266

Email: sales@aquariusdist.com.au www.aquariusdist.com.au