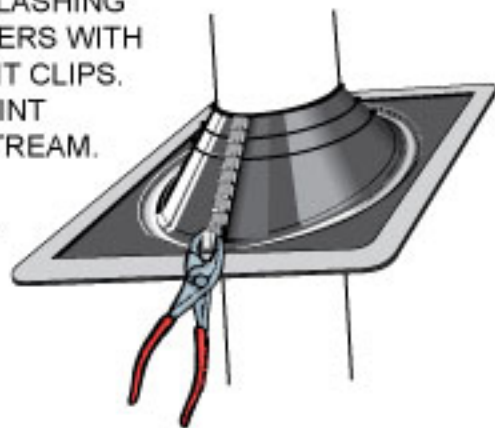
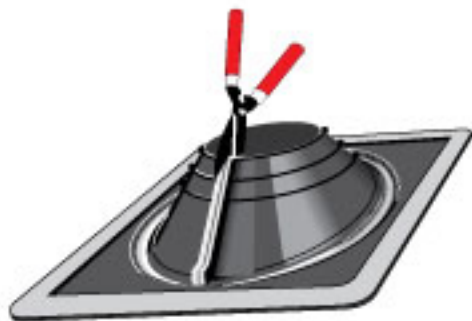


**3** CRIMP FLASHING SHOULDERS WITH RETROFIT CLIPS. FACE JOINT DOWNSTREAM.



STEPS 2 & 3 ONLY IF RETRO-FITTING

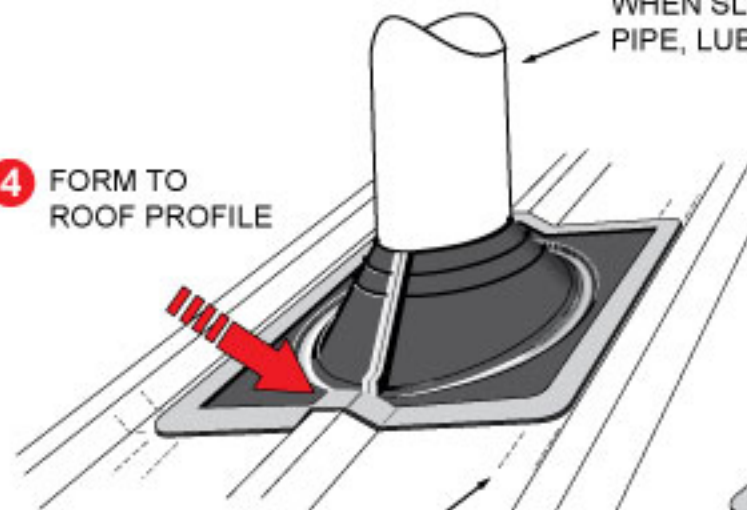
**2** SPLIT SHOULDERS WITH SCISSORS



**1** CUT CONE TO EXACT CORRESPONDING PIPE DIAMETER.

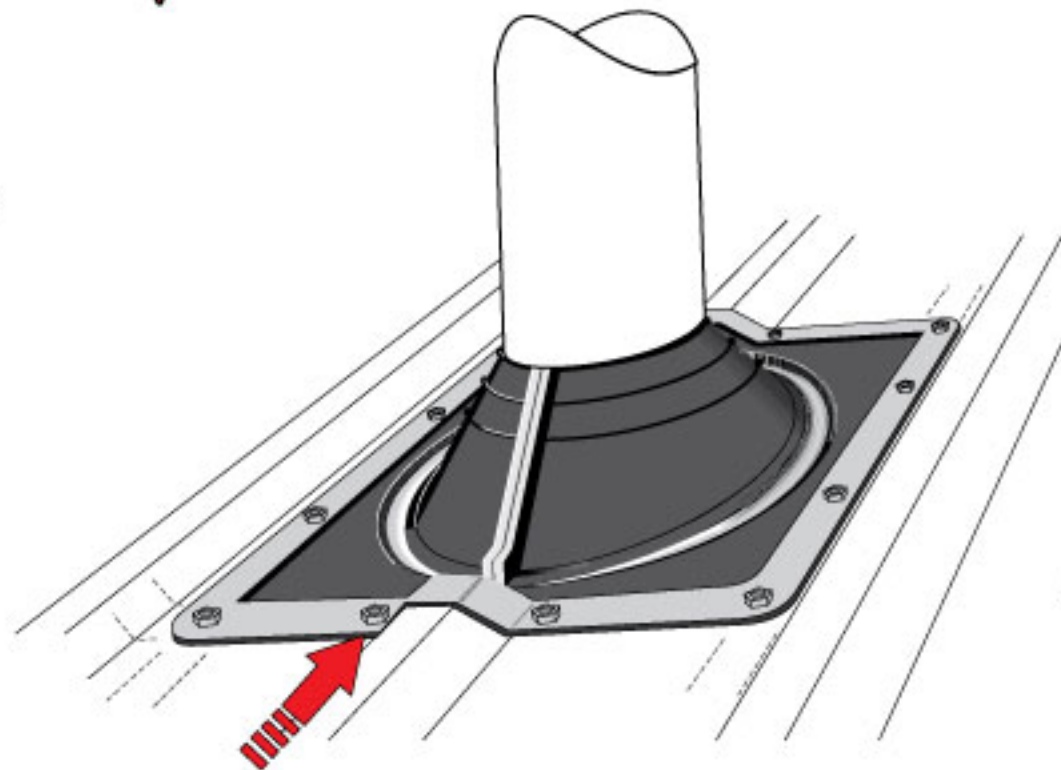


**4** FORM TO ROOF PROFILE



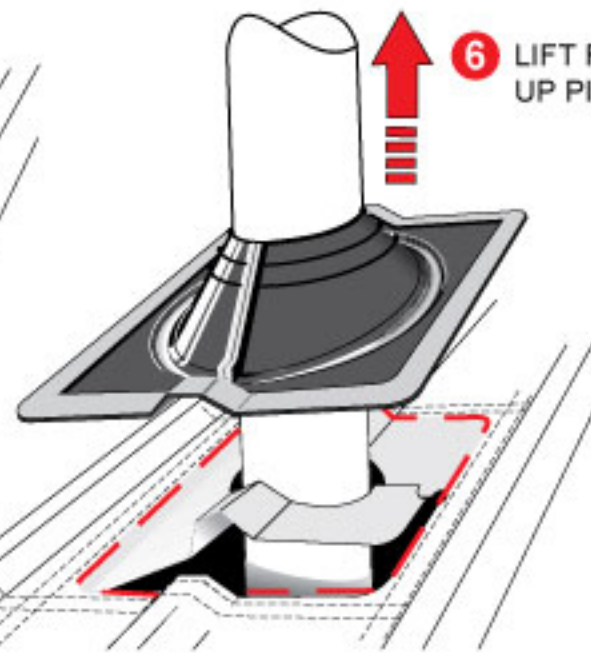
WHEN SLIDING FLASHING DOWN PIPE, LUBRICATE PIPE WITH WATER.

**5** MARK OUT SILICONE PATHS



**9** REALIGN FLASHING ONTO ROOF AND FIX WITH APPROPRIATE FASTENERS. START HERE.

**6** LIFT FLASHING UP PIPE



**7** REMOVE THIS SECTION OF ROOF (—) USING CUTTERS, SNIPS OR NIBBLER, PERMITTING DRAIN SHAPE TO FORM

**8** APPLY SILICONE ON MARKED PATH

